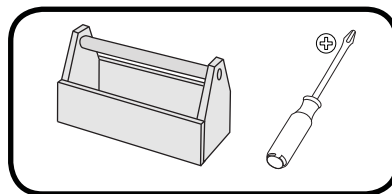
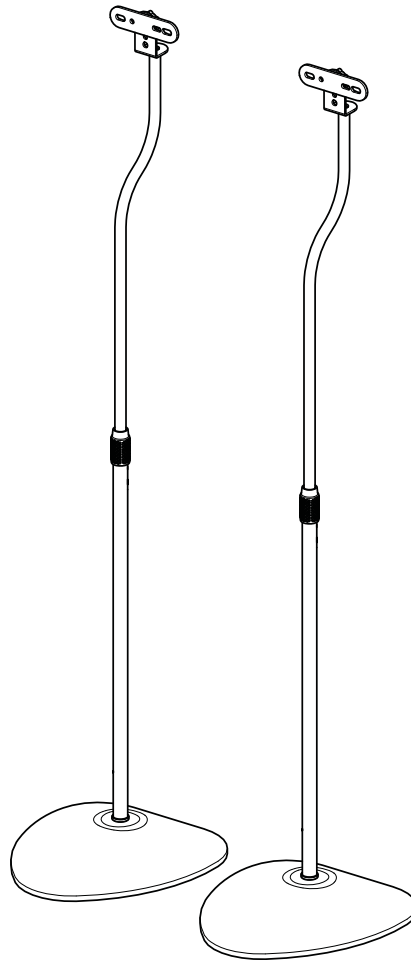


SANUS™

A C C E N T S

HTSAT

(6904-002019 <00>)



Sanus Systems

2221 Hwy 36 West
Saint Paul, MN 55113 USA

Customer Service

Americas: 800-359-5520 • 651-484-7988 • info@sanus.com
Europe, Middle East, and Africa: + 31 40 2324700 • europe.sanus@milestone.com
Asia Pacific: 86 755 8996 9226 • sanus.ap@milestone.com

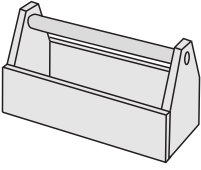




accents.sanus.com

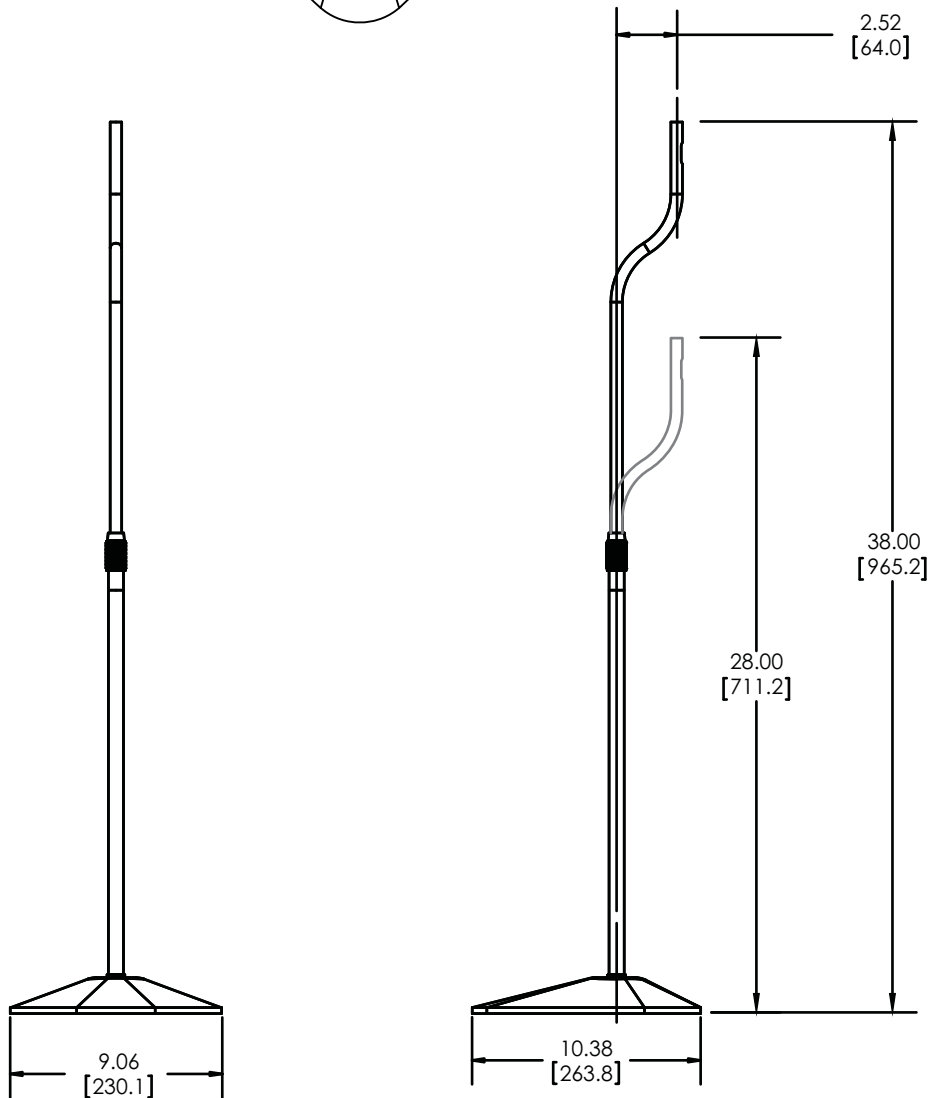
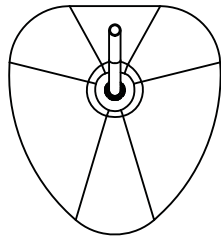
©2010 Milestone AV Technologies, a Duchossois Group Company.

All rights reserved. Accents is a Milestone brand.

All other brand names or marks are used for identification purposes and are trademarks of their respective owners.



				
Tools required	WARNING: This product contains small items that could be a choking hazard.	Do Not	Caution / Warning	Choose an Option



⚠ CAUTION:

IMPORTANT SAFETY INSTRUCTIONS – SAVE THESE INSTRUCTIONS – PLEASE READ ENTIRE MANUAL BEFORE USING THIS PRODUCT

The HTSAT stands are designed to support satellite speakers.

Specifications:

- ✦ Speaker maximum weight - **DO NOT EXCEED:** 1.6 kg (3.5 lbs)

⚠ CAUTION: Avoid potential personal injuries and property damage!

- ✦ Do not use this product for any purpose not explicitly specified by manufacturer.
- ✦ If you do not understand these instructions, or have doubts about the safety of the installation, assembly or use of this product, contact manufacturer Customer Service or call a qualified contractor.
- ✦ Manufacturer is not responsible for damage or injury caused by incorrect assembly or use.

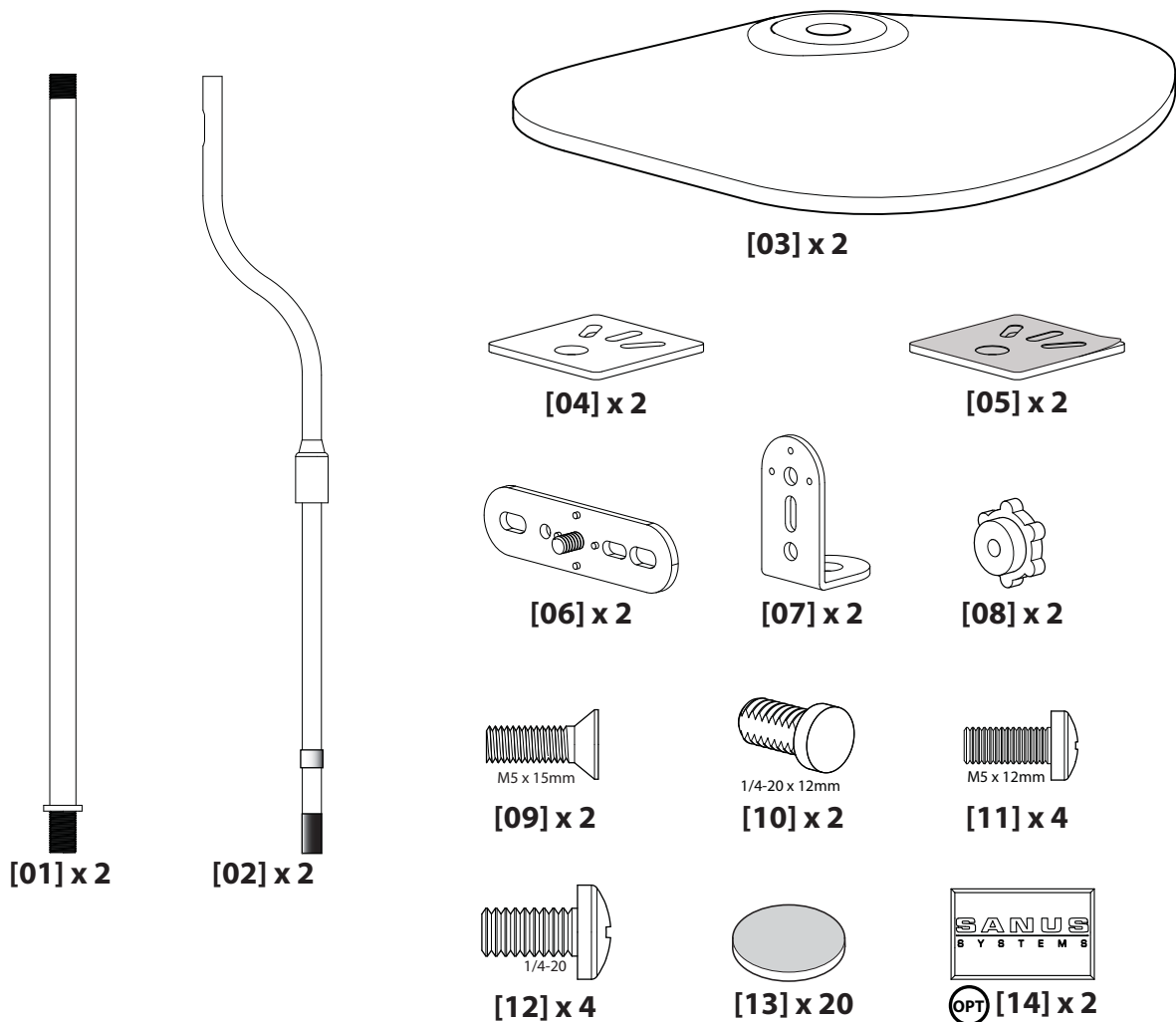


WARNING: This product contains small items that could be a choking hazard.

Supplied Parts and Hardware.

Before starting assembly, verify all parts are included and undamaged. If any parts are missing or damaged, do not return the damaged item to your dealer; contact Customer Service. Never use damaged parts!

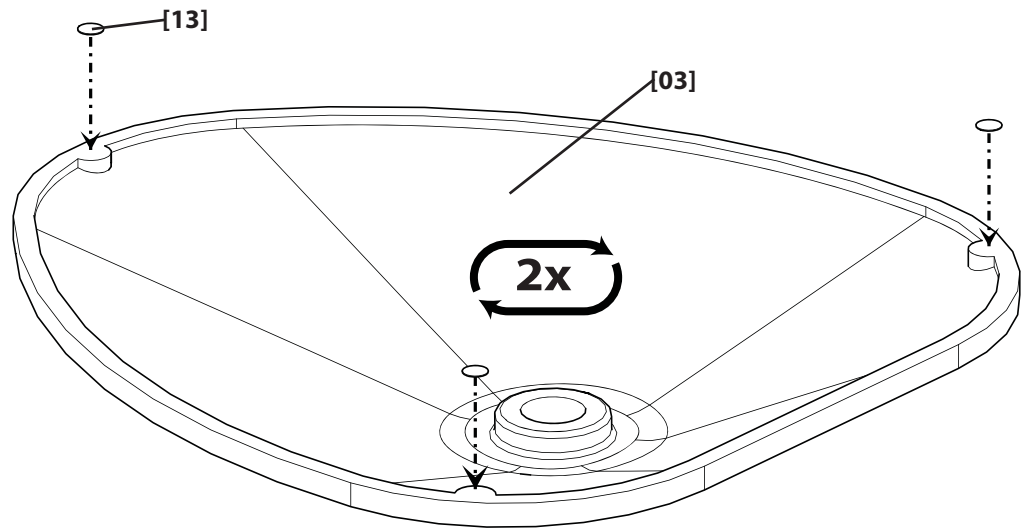
NOTE: Not all hardware included will be used.



1 Base Assembly

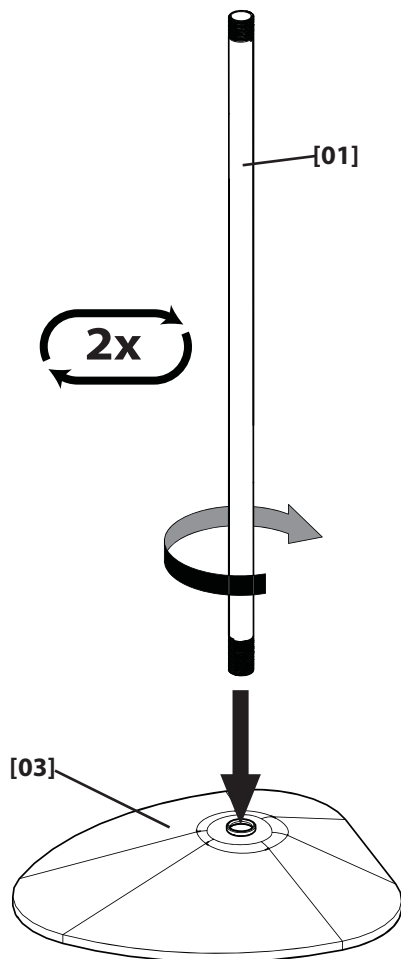
1

Apply felt pads [13] to bottom of both bases [03] where indicated.



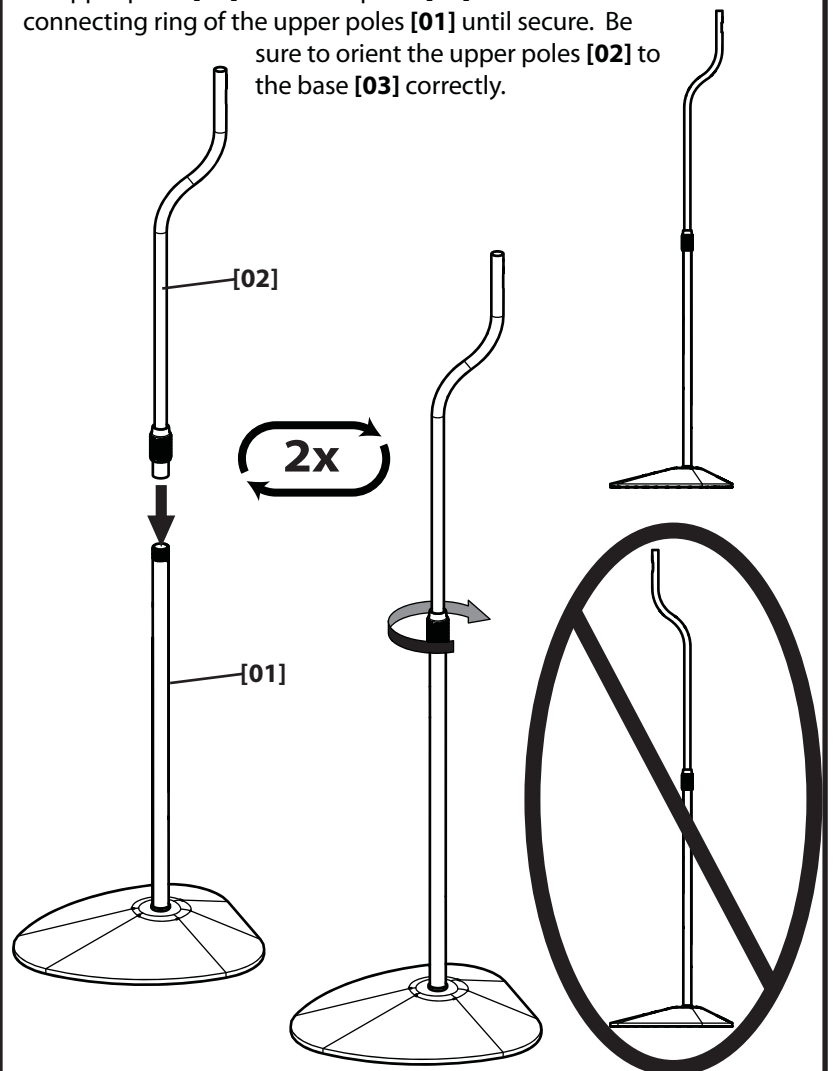
2

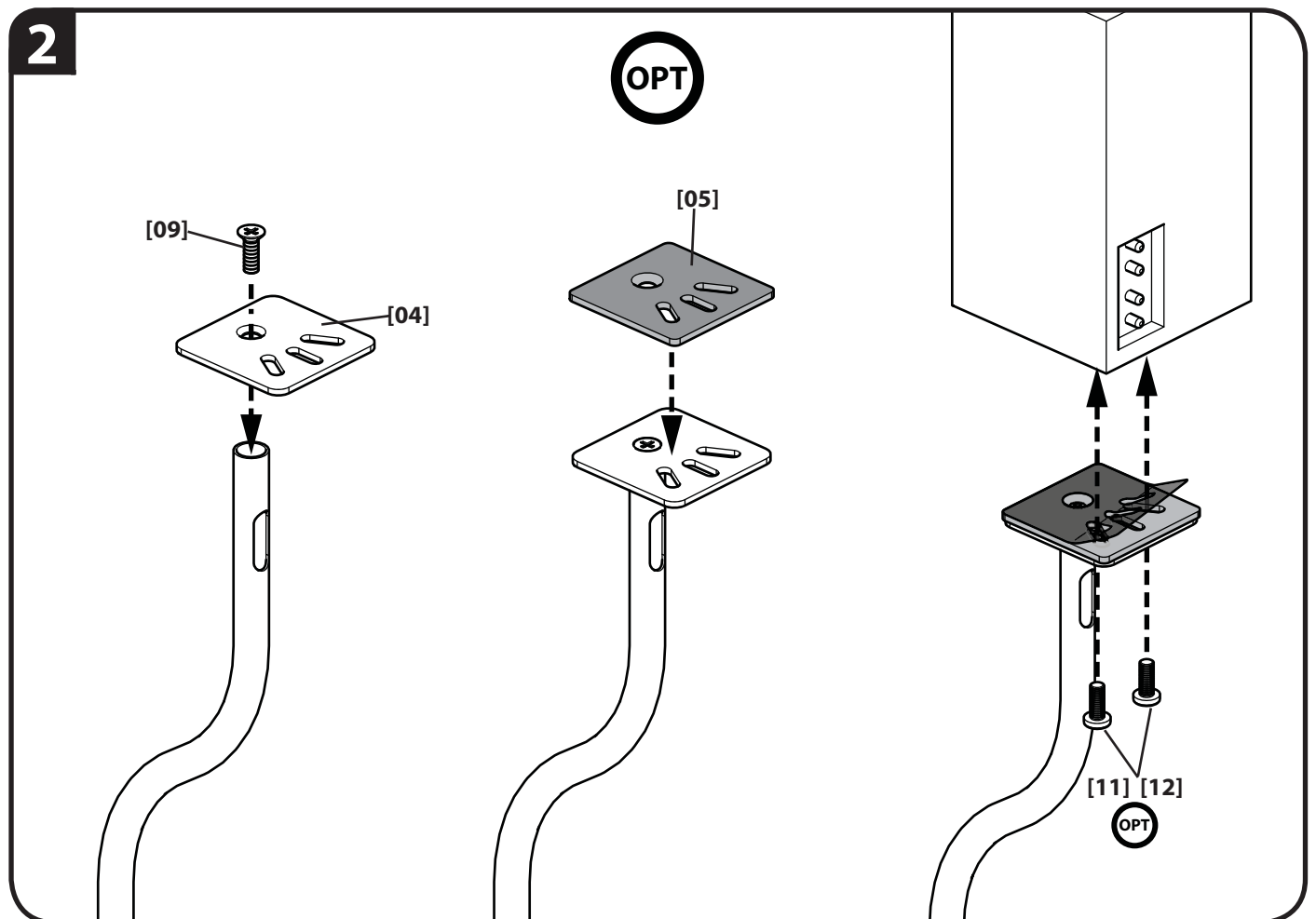
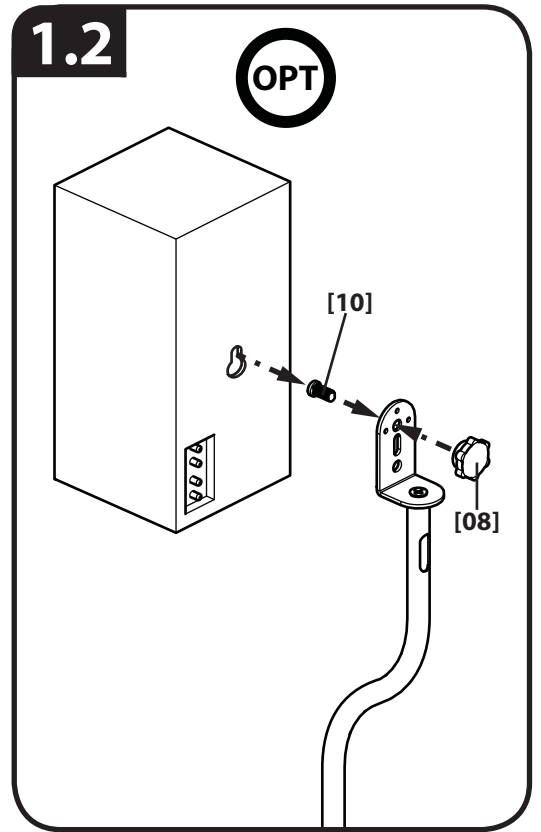
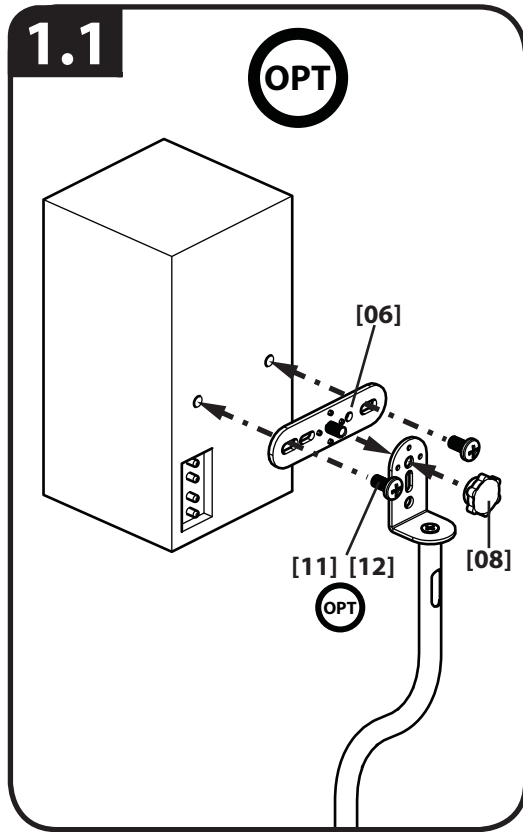
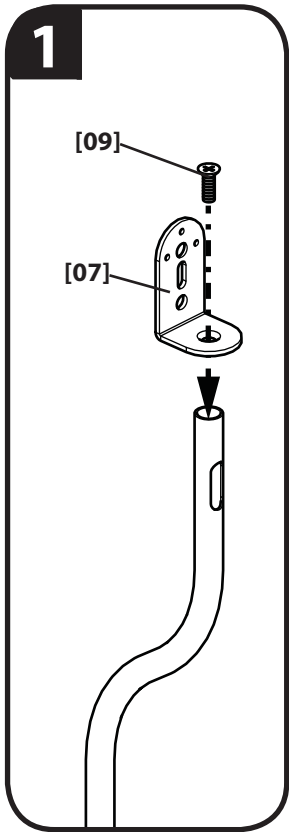
Assemble lower poles [01] into bases [03] and twist until poles [01] are secure.



3

Fit upper poles [02] into lower poles [01] and twist the connecting ring of the upper poles [01] until secure. Be sure to orient the upper poles [02] to the base [03] correctly.

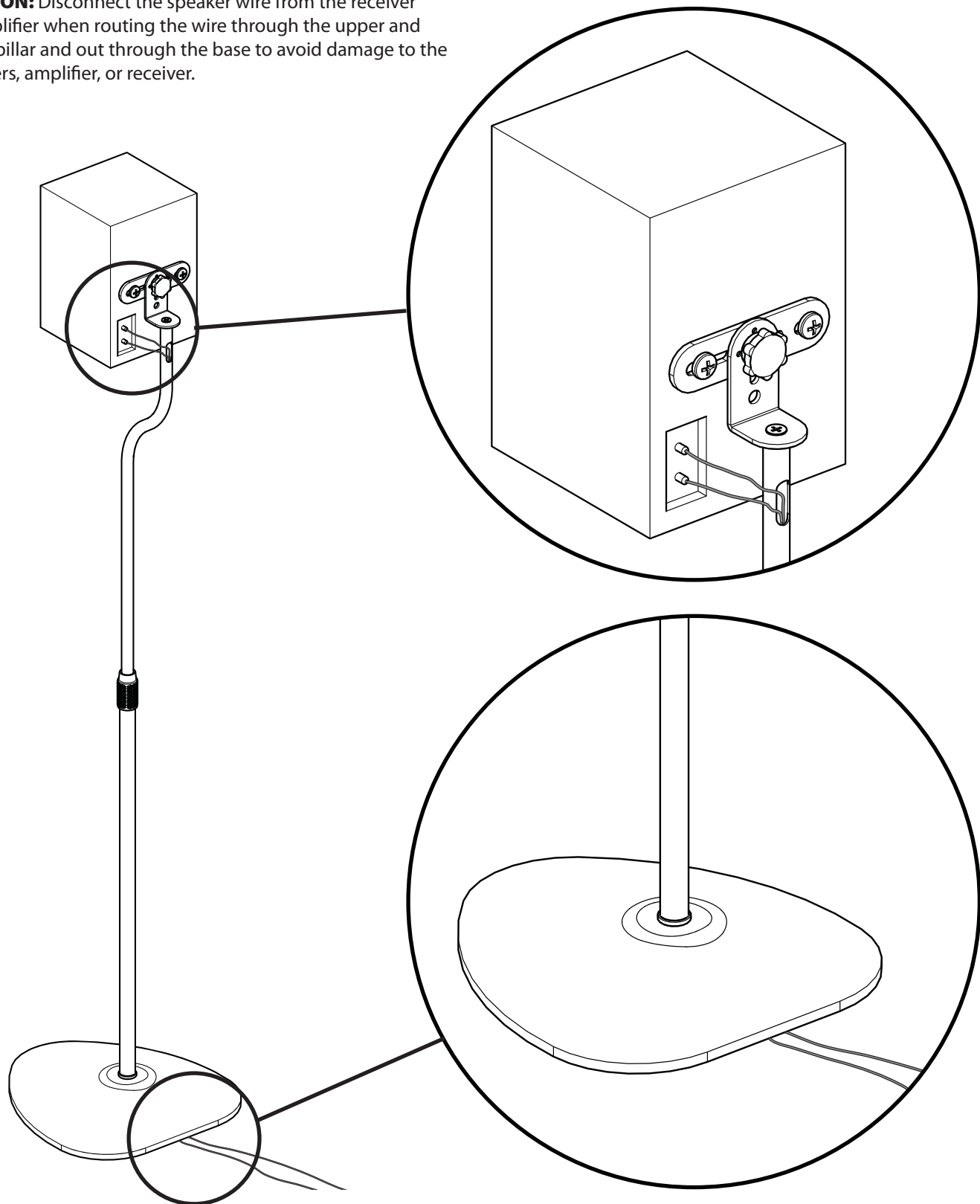




3 Wire Routing

⚠ CAUTION:

CAUTION: Disconnect the speaker wire from the receiver or amplifier when routing the wire through the upper and lower pillar and out through the base to avoid damage to the speakers, amplifier, or receiver.



Milestone AV Technologies and its affiliated corporations and subsidiaries (collectively, "Milestone"), intend to make this manual accurate and complete. However, Milestone makes no claim that the information contained herein covers all details, conditions, or variations. Nor does it provide for every possible contingency in connection with the installation or use of this product. The information contained in this document is subject to change without notice or obligation of any kind. Milestone makes no representation of warranty, expressed or implied, regarding the information contained herein. Milestone assumes no responsibility for accuracy, completeness or sufficiency of the information contained in this document.