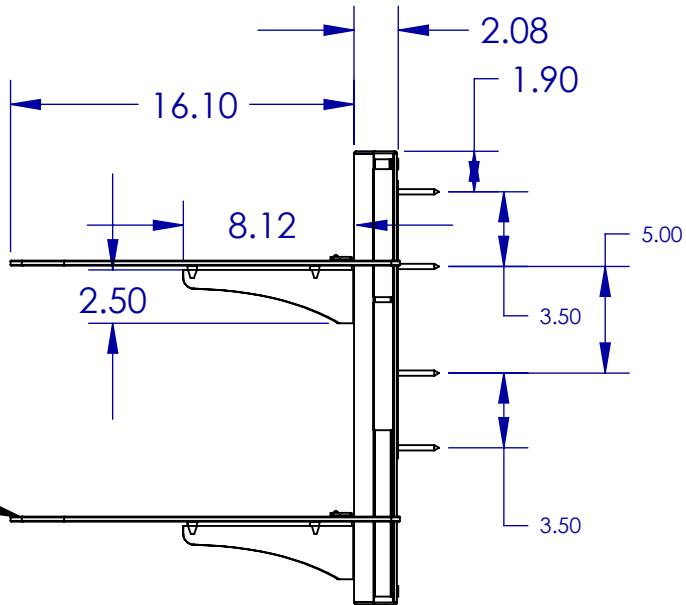
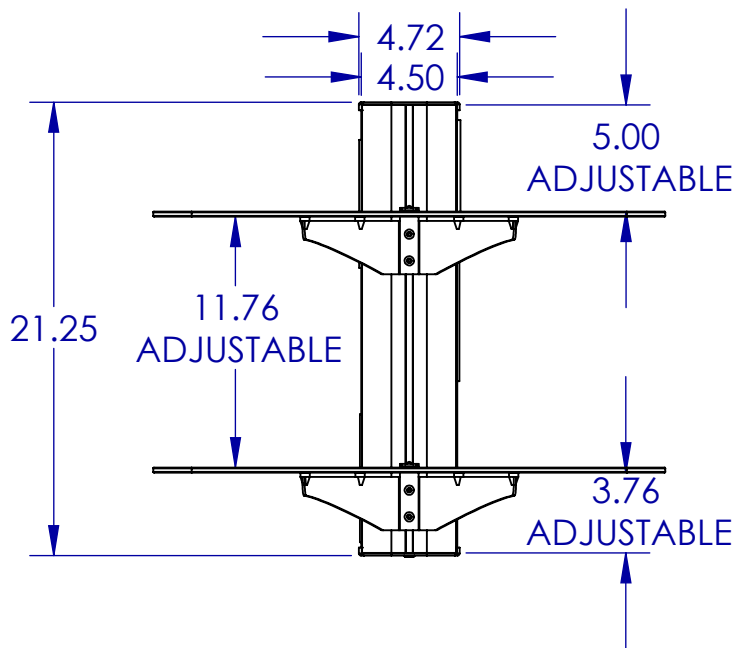
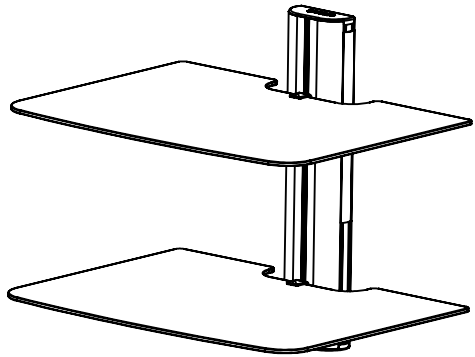


SHELF CAPACITY:
50LBS PER SHELF



| | | | |
|---|---------------|----------------|-----------|
| PROPRIETARY AND CONFIDENTIAL THE INFORMATION CONTAINED IN THIS DRAWING IS THE SOLE PROPERTY OF SANUS SYSTEMS, A PRODUCT DIVISION OF MILESTONE AV TECHNOLOGIES. ANY REPRODUCTION IN PART OR AS A WHOLE WITHOUT THE WRITTEN PERMISSION OF SANUS SYSTEMS IS PROHIBITED. 专有且机密资料 本信息属 SANUS SYSTEMS 公司专属财产, 非经 SANUS SYSTEMS 书面许可, 严禁复制其中任何内容 | NAME 姓名 | DATE 日期 | |
| | ENGINEER 工程师 | JKV | 7/23/2008 |
| | DESIGNER 设计师 | MMR | 7/23/2008 |
| | APPROVED 批准 | DDG | 7/23/2008 |
| NOTES 注释: | | | |
| TEMPLATE REV 模板修订版: 06 | SCALE 比例: 1:9 | SHEET 1 OF 第 1 | |

SANUSTM
A C C E N T S

DESCRIPTION 描述: SAN12