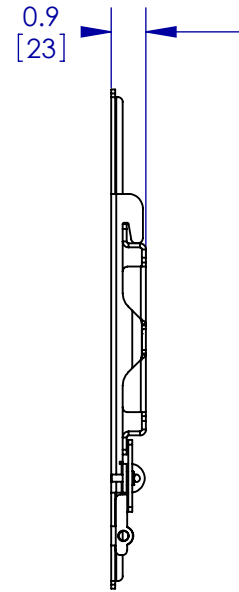
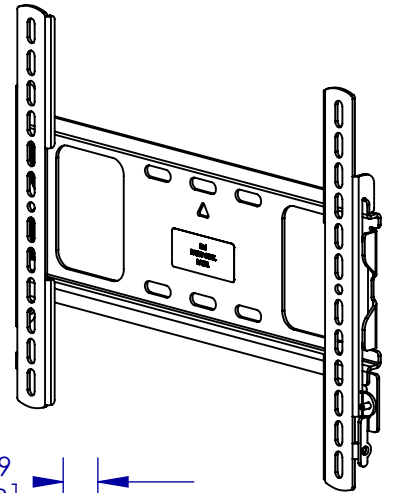
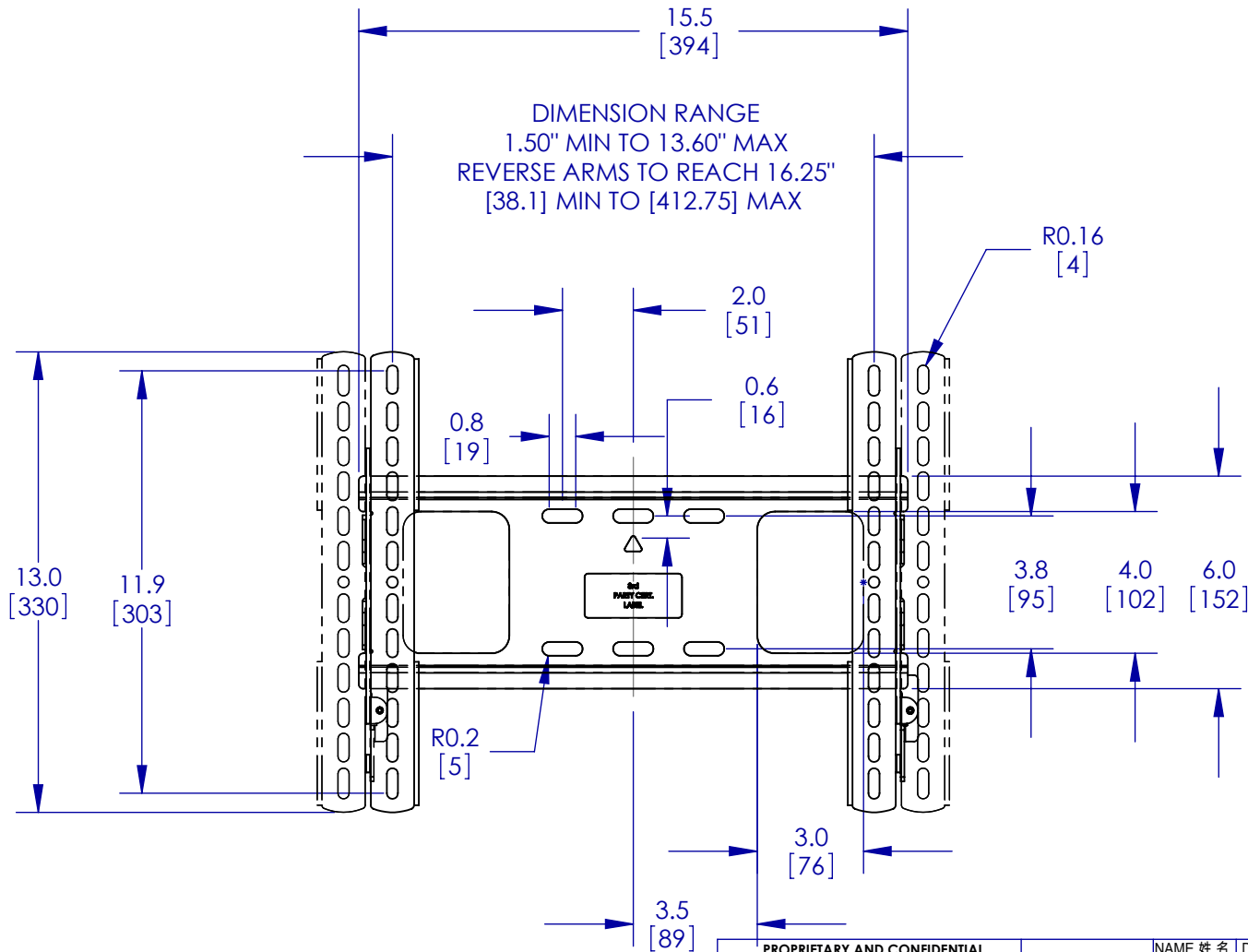


MAXIMUM WEIGHT CAPACITY:  
100 LBS.



**PROPRIETARY AND CONFIDENTIAL**

THE INFORMATION CONTAINED IN THIS DRAWING IS THE SOLE PROPERTY OF SANUS SYSTEMS, A PRODUCT DIVISION OF MILESTONE AV TECHNOLOGIES. ANY REPRODUCTION IN PART OR AS A WHOLE WITHOUT THE WRITTEN PERMISSION OF SANUS SYSTEMS IS PROHIBITED.

专有且机密资料

本信息属 SANUS SYSTEMS 公司专属财产, 非经 SANUS SYSTEMS 书面许可, 严禁复制其中任何内容

	NAME 姓名	DATE 日期
ENGINEER 工程师	J BURES	6/2/2008
DESIGNER 设计师	J BURES	6/2/2008
APPROVED 批准	J BURES	6/2/2008

NOTES 注释:

TEMPLATE REV 模板修订版: 06

SCALE 比例: 1:5

SHEET 1 OF 第 1

**SANUS**  
VISION MOUNT

DESCRIPTION 描述:

SAN22