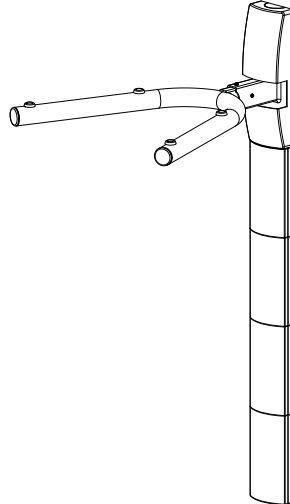


SANUS | SYSTEMS

SANA1A

(6904-100080 <01>)



IMPORTANT SAFETY INSTRUCTIONS - SAVE THESE INSTRUCTIONS

Thank you for choosing a Sanus Systems SANA1A. The SANA1A is designed to hold a single audio-visual component weighing up to 45 lbs. [20.5 kg.], while concealing wire and cables.

! CAUTION

The weight of your VCR, DVD player, cable box, satellite receiver, or stereo component must not exceed 45 lbs (20.5 kg). The wall must be capable of supporting five times the weight of the audio-visual component plus the wall mount.

! CAUTION

This mount is not intended for use on brick, concrete block, concrete, or steel wall studs. Typical wall anchors do not have sufficient holding power to support this mount. It is up to the installer to verify the safety of any installation method or hardware that is not provided by or recommended by Sanus Systems.

! CAUTION

Do not use this product for any purpose not explicitly specified by Sanus Systems. Improper assembly may cause property damage or personal injury. If you do not understand these directions, or have doubts about the safety of the assembly, contact Customer Service or call a qualified contractor. Sanus Systems is not responsible for damage or injury caused by incorrect assembly or use.

! WARNING

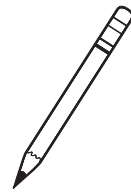
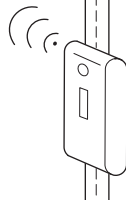
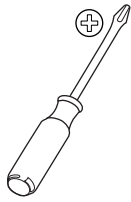
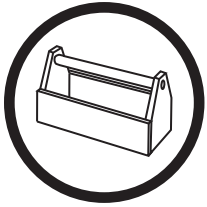
This product contains small items that could be a choking hazard if swallowed. Keep these items away from young children!

Sanus Systems 2221 Hwy 36 West, Saint Paul, MN 55113 USA

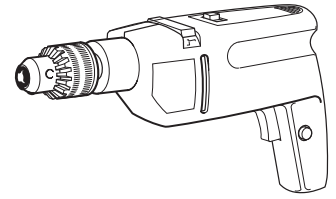
Customer Service: 1-800-359-5520 • 651-484-7988

info@sanus.com • www.sanus.com

©2008 Milestone AV Technologies



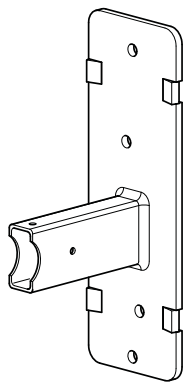
1/8 in.
5/16 in.



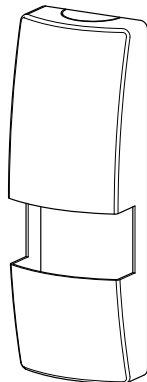
Hardware and procedures for multiple mounting configurations are included. When you see this symbol, choose the correct configuration to suit your needs. Not all hardware included will be used.

Supplied Parts and Hardware

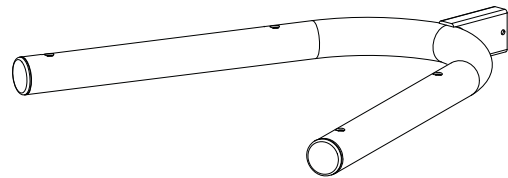
Before starting assembly, verify all parts are included and undamaged. If any parts are missing or damaged, do not return the item to your dealer; contact Customer Service. Never use damaged parts!



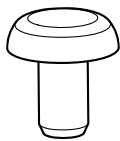
[01] x 1



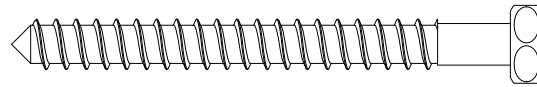
[02] x 1



[03] x 1



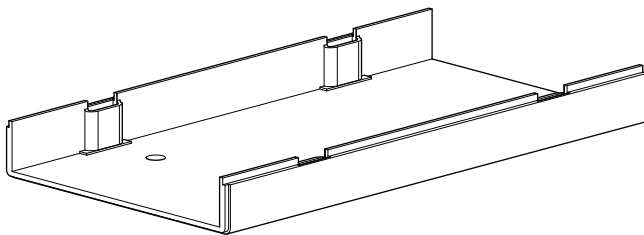
[04] x 4



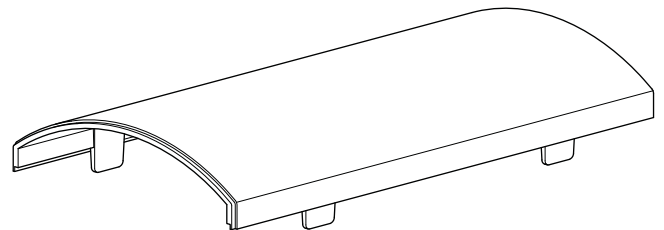
[05] x 4



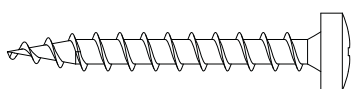
[06] x 2



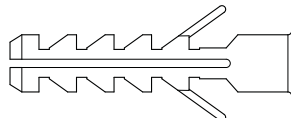
[07] x 4



[08] x 4



[09] x 8



[10] x 8

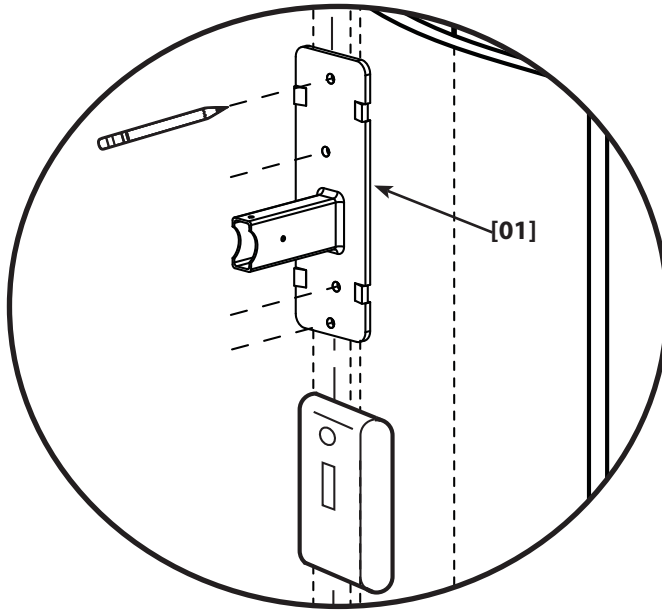


[11] x 1

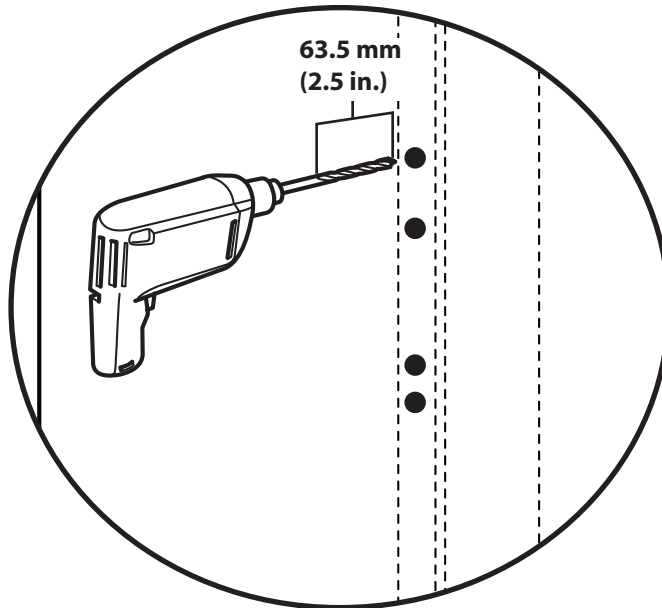
1



4x



4x

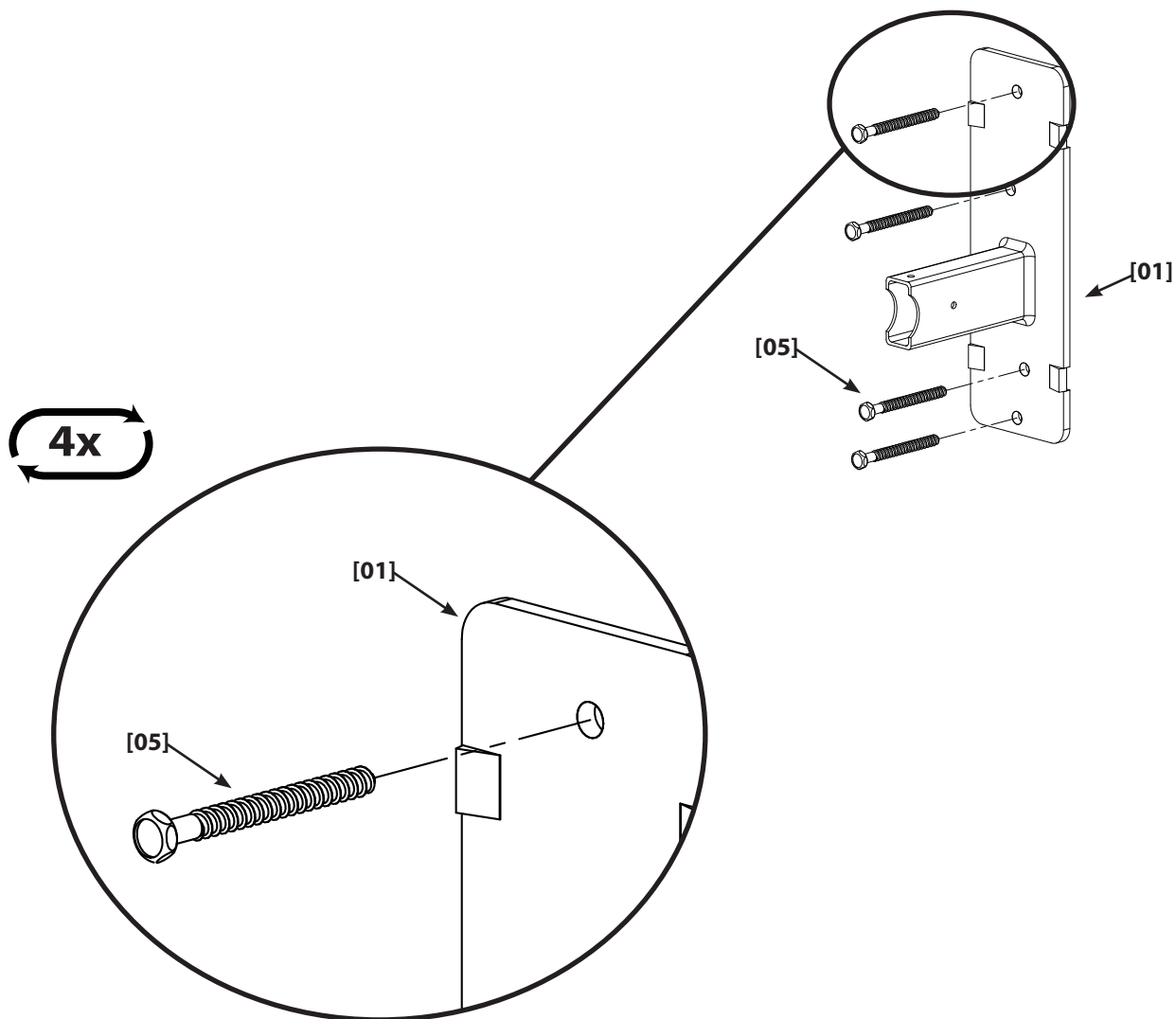


2



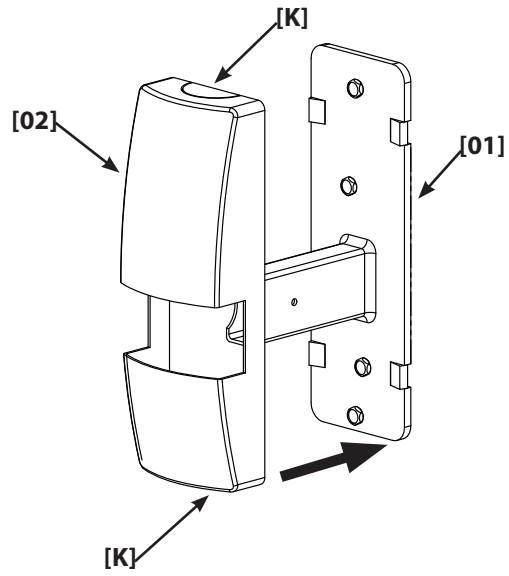
⚠ CAUTION

To prevent property damage and/or personal injury do not overtighten the lag bolts [05]. Tighten the lag bolts only until the wall plate [01] is pulled firmly against the wall. The drywall or other material must not exceed 15.8 mm (5/8 in.) in thickness.

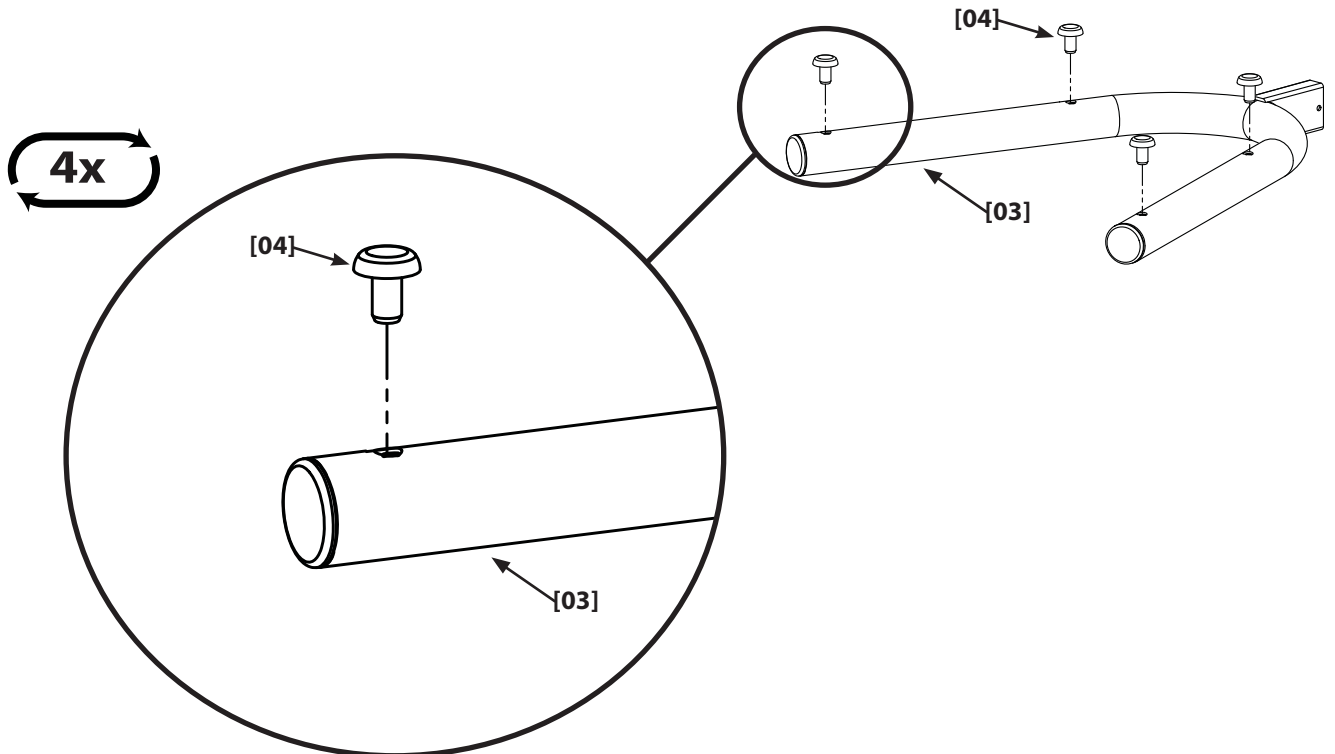


3

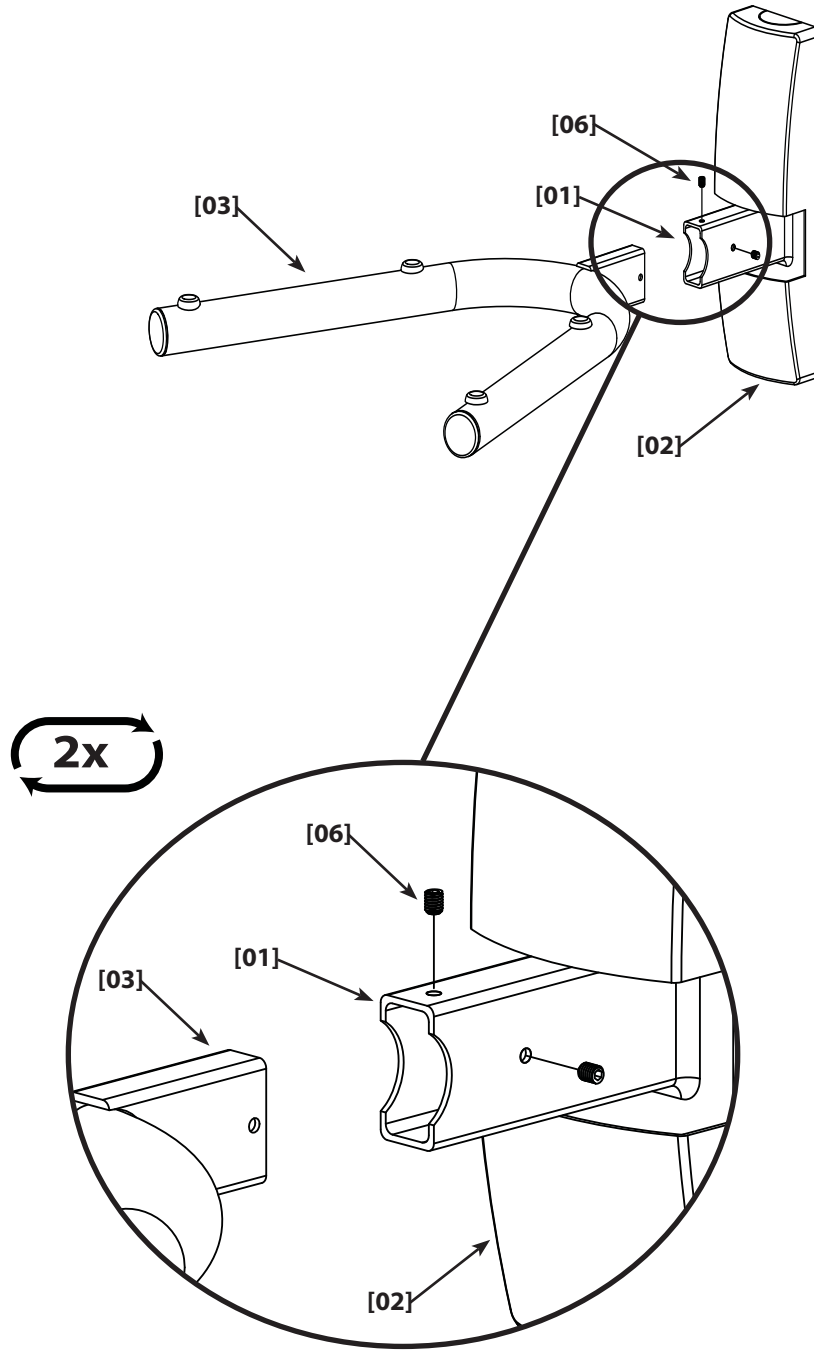
Break out the appropriate knock out [K] on the cover [02] to route cables and wires out the top or bottom of the unit.



4



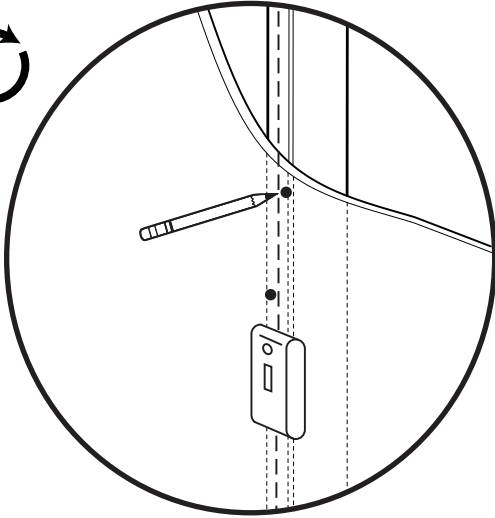
5



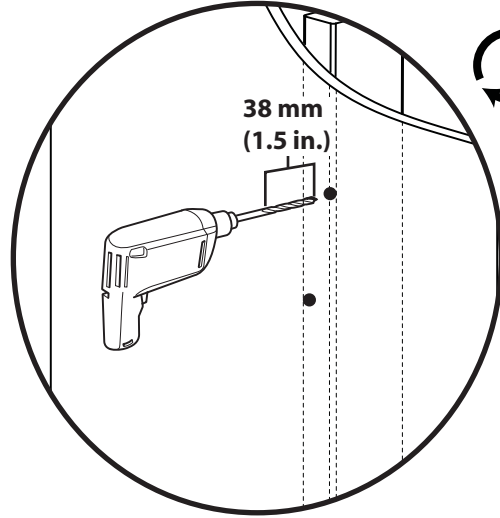
6



8x



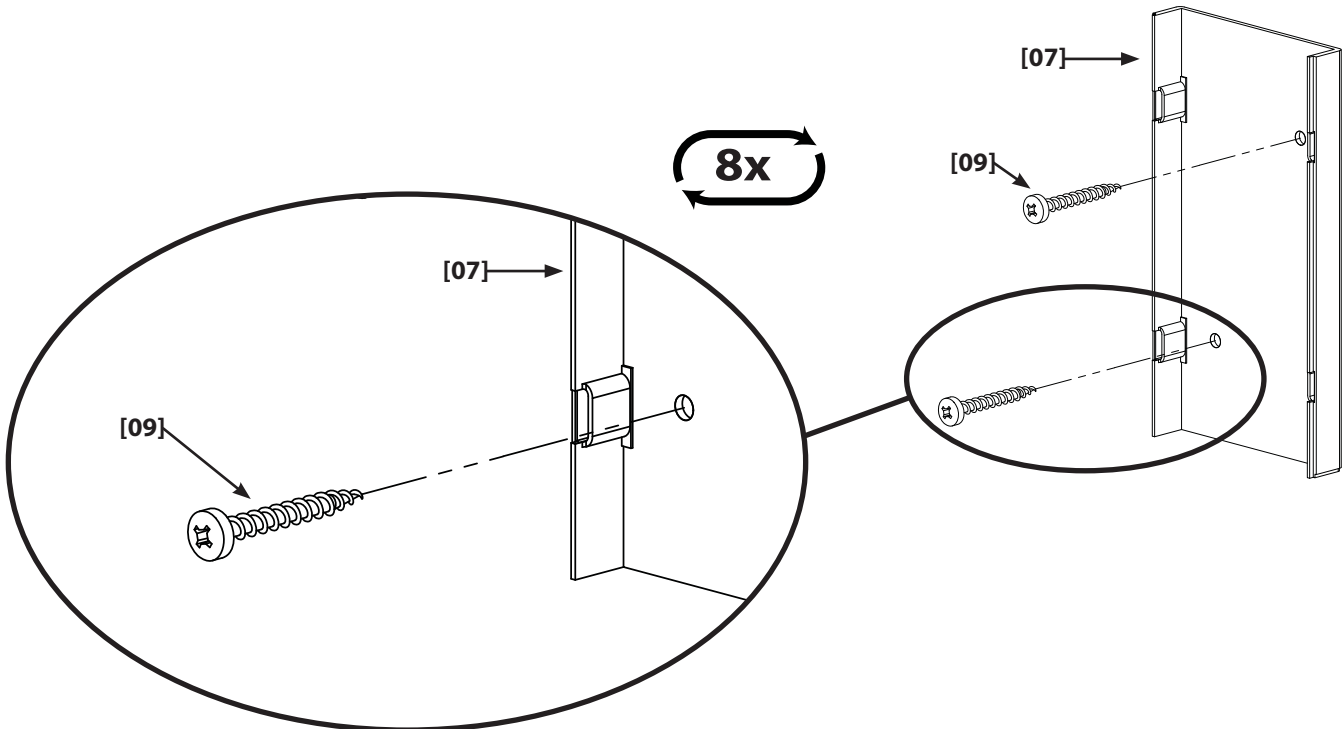
8x



⚠ CAUTION

Do not overtighten the wood screws [09]. Tighten the screws only until the wall plate [07] is pulled firmly against the wall. The drywall or other material must not exceed 15.8 mm (5/8 in.) in thickness.

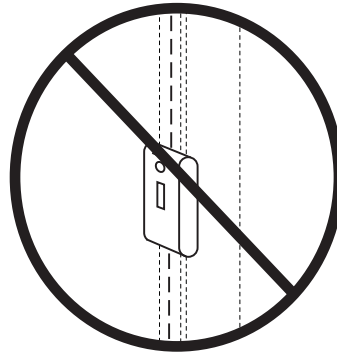
8x



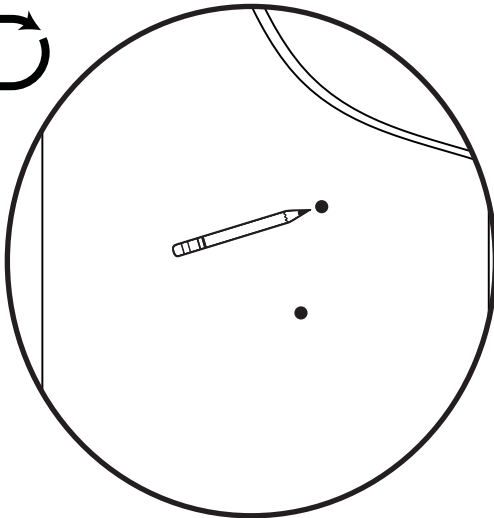
6



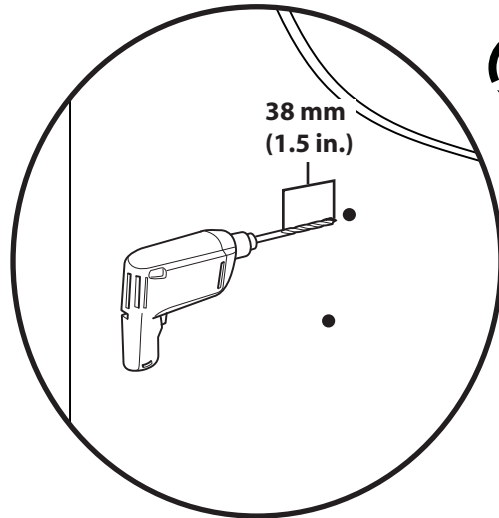
OPT



8x



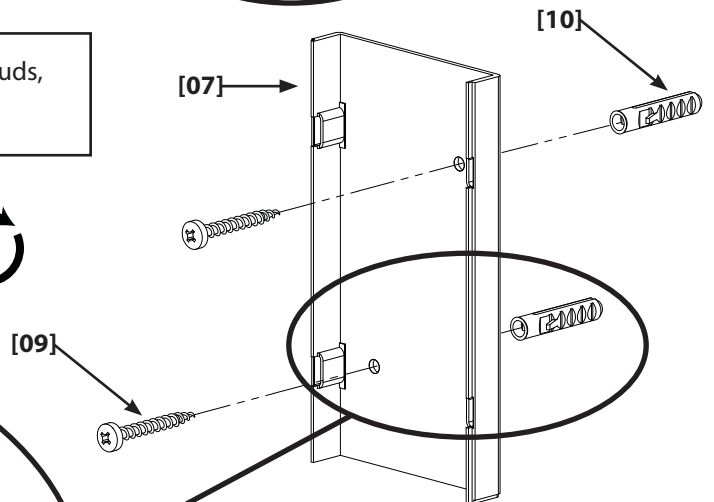
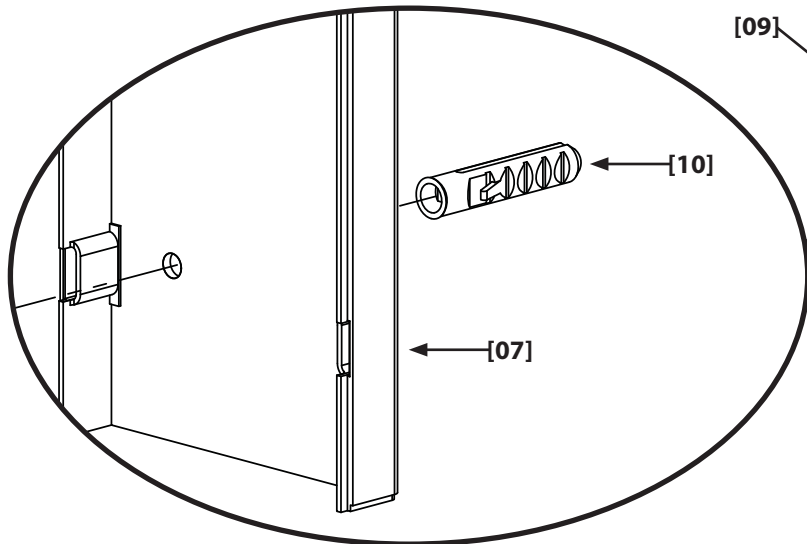
8x



38 mm
(1.5 in.)

OPT If mounting the cable cover wall plate [07] between studs, use the 5/16 in. drill bit and anchors [10].

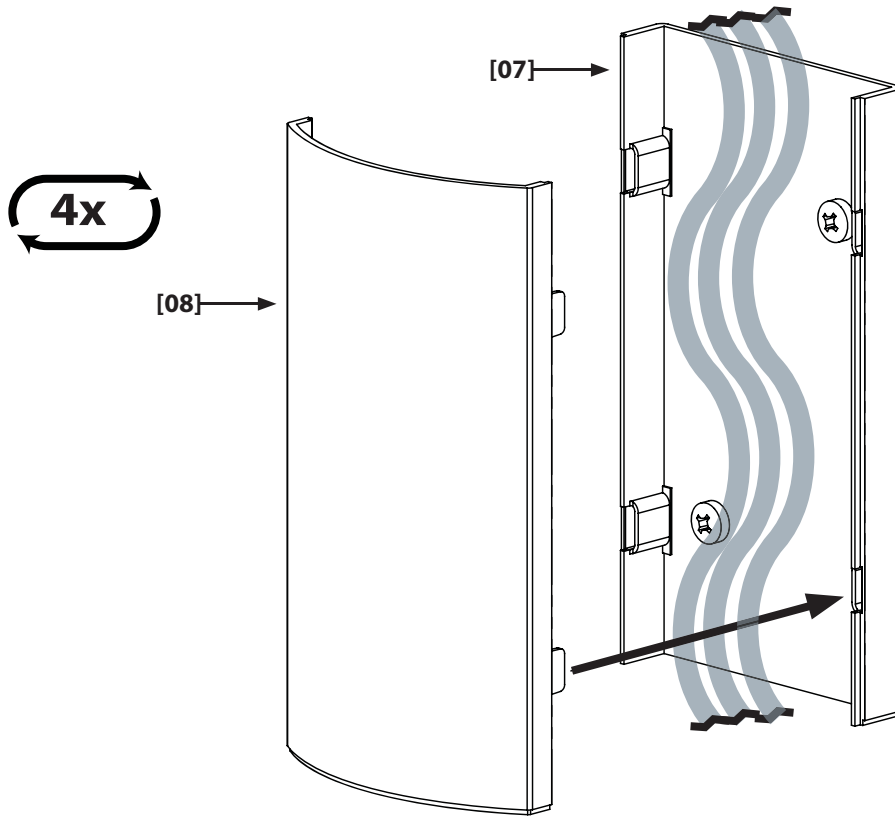
8x



7

NOTE

Place all wires and cables between the right and left edge of the cable cover wall plate [07] prior to installing the cable cover [08].



Milestone AV Technologies and its affiliated corporations and subsidiaries (collectively, "Milestone"), intend to make this manual accurate and complete. However, Milestone makes no claim that the information contained herein covers all details, conditions, or variations. Nor does it provide for every possible contingency in connection with the installation or use of this product. The information contained in this document is subject to change without notice or obligation of any kind. Milestone makes no representation of warranty, expressed or implied, regarding the information contained herein. Milestone assumes no responsibility for accuracy, completeness or sufficiency of the information contained in this document.