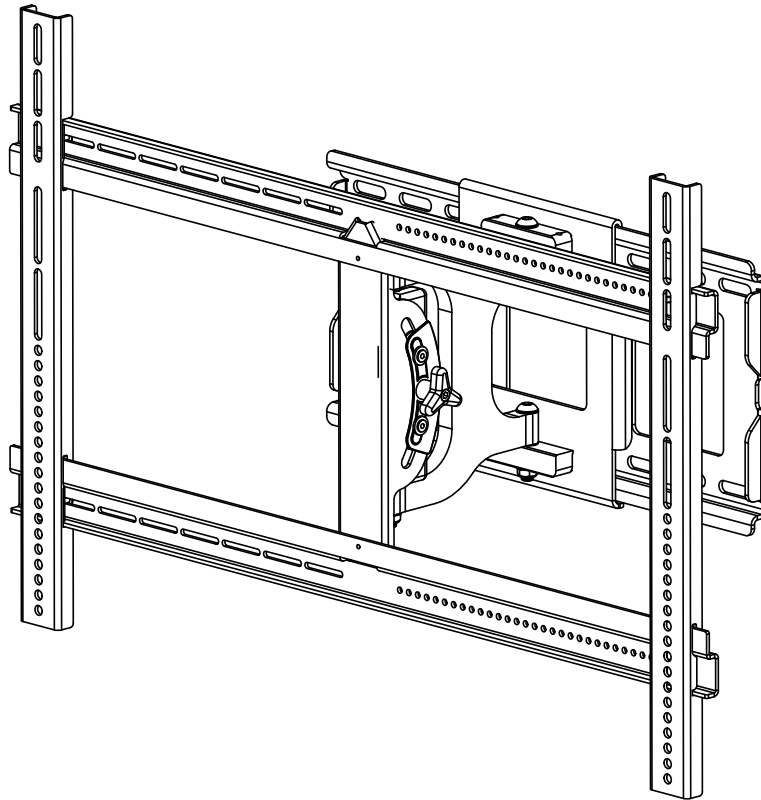


SANUS™

A C C E N T S

ALF109 Instruction Manual



Scan here to view
product demo and install
videos or visit san.us/101

Milestone AV Technologies

6436 City West Parkway
Eden Prairie, MN 55344 USA

Customer Service

Americas: 800-359-5520 • 651-484-7988 • info@sanus.com
Europe, Middle East, and Africa: +31 (0) 495 580 852 • europe.sanus@milestone.com
Asia Pacific: 86 755 8996 9226 • sanus.ap@milestone.com

accents.sanus.com

©2012 Milestone AV Technologies, a Duchossois Group Company.

All rights reserved. Accents is a Milestone brand.

All other brand names or marks are used for identification purposes and are trademarks of their respective owners.

(6904-002009 <01>)

Specifications

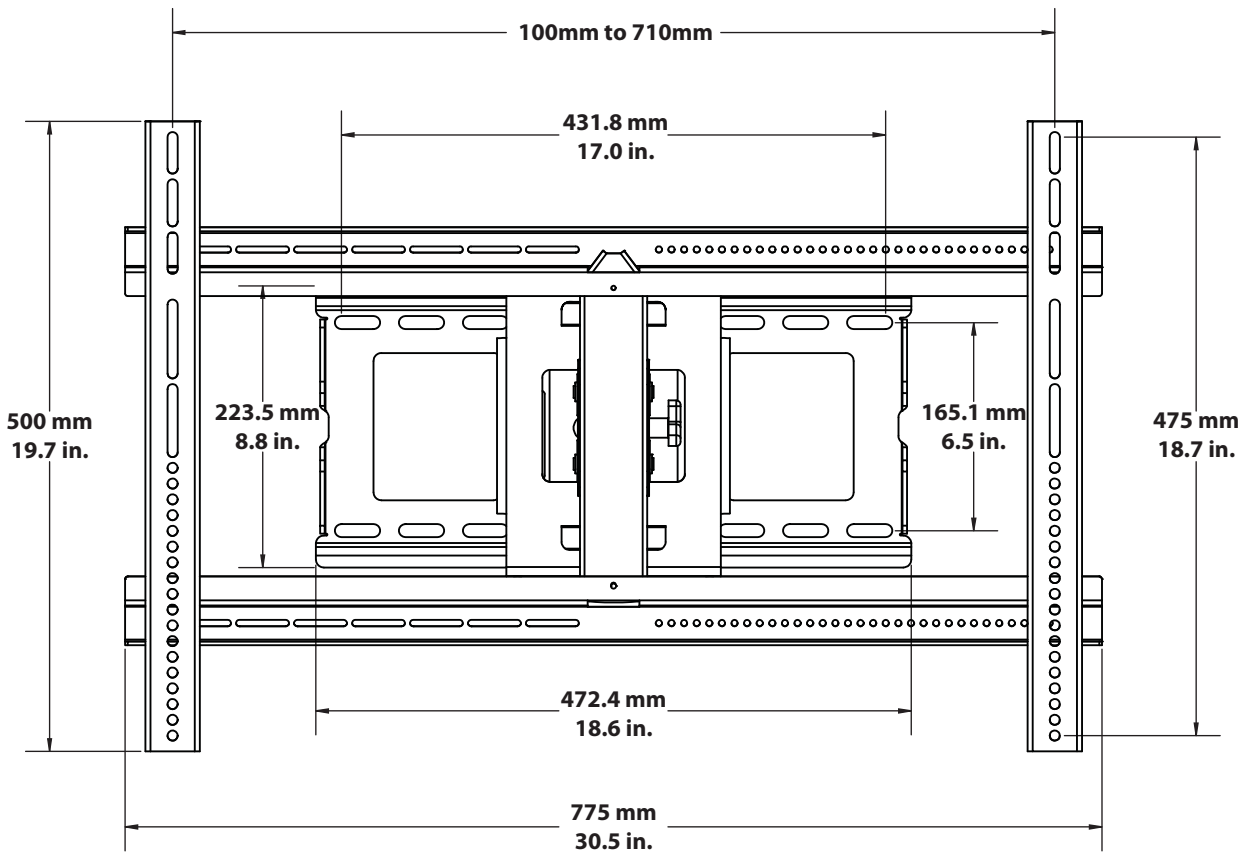
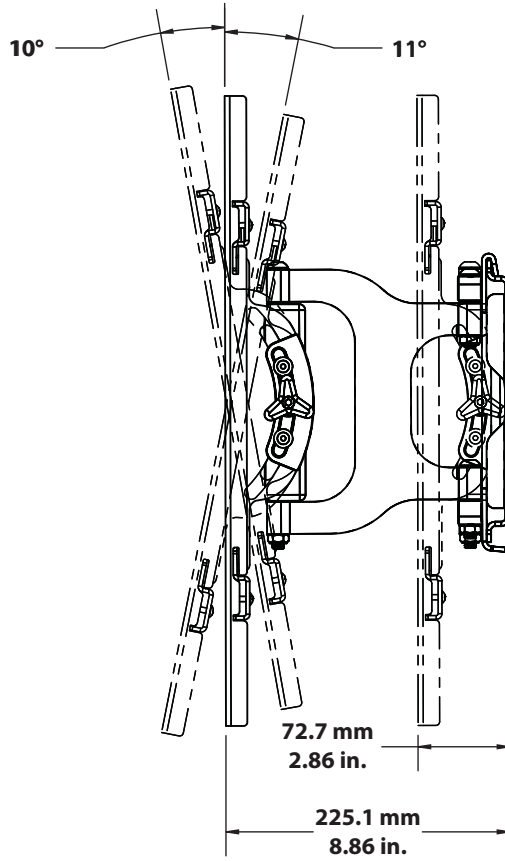
- ✘ Weight capacity-DO NOT EXCEED: 58.9 kg (130 lb) includes TV and any accessories
- ✘ Tilt: +11° / -10°

▲ CAUTION: Avoid potential personal injuries and property damage!

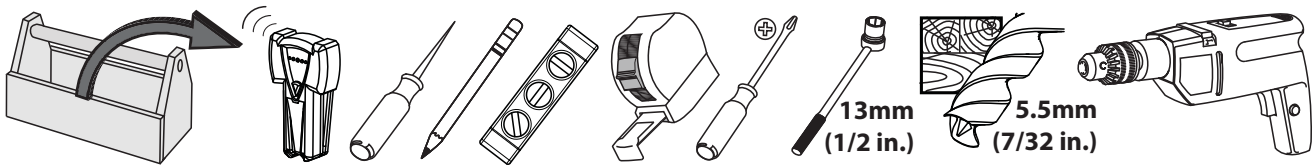
- ✘ Do not use this product for any purpose not explicitly specified by manufacturer.
- ✘ The wall must be capable of supporting five times the weight of the monitor and mount combined.
- ✘ This product is designed for use in wood frame walls only!
- ✘ If you do not understand these instructions, or have doubts about the safety of the installation, assembly or use of this product, contact manufacturer Customer Service or call a qualified contractor.
- ✘ Manufacturer is not responsible for damage or injury caused by incorrect assembly or use.

Technical Specifications

in.
[mm]



Required Tools

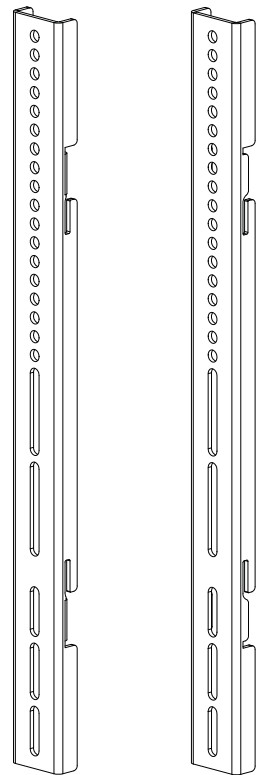
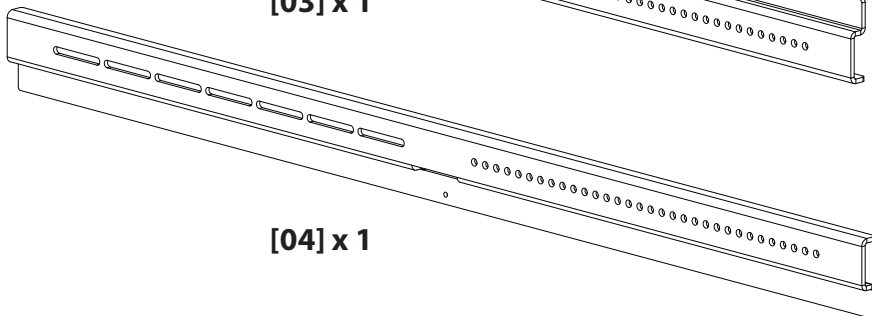
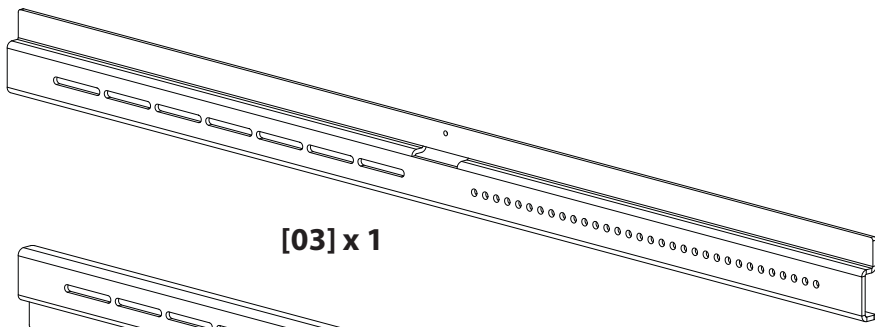
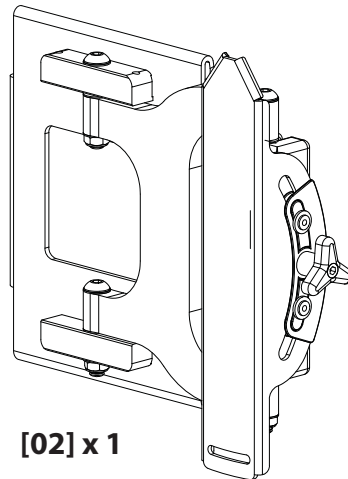
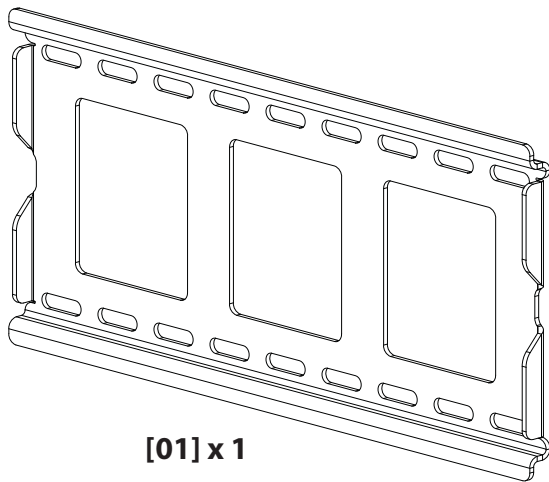


Supplied Parts and Hardware

▲ WARNING: This product contains small items that could be a choking hazard if swallowed.

Before starting assembly, verify all parts are included and undamaged. If any parts are missing or damaged, do not return the damaged item to your dealer; contact Customer Service. Never use damaged parts!

NOTE: M4, M6, or M8 describes the diameter, mm describes the length of screws that are labeled M# X ##mm. Not all hardware included will be used.





M4 x 12mm
[07] x 4



M4 x 30mm
[08] x 4



M4
[09] x 4



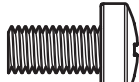
M5 x 12mm
[10] x 4



M5 x 30mm
[11] x 4



M5
[12] x 4



M6 x 12mm
[13] x 4



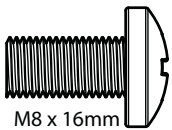
M6 x 20mm
[14] x 4



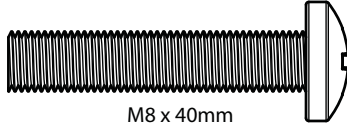
M6 x 35mm
[15] x 4



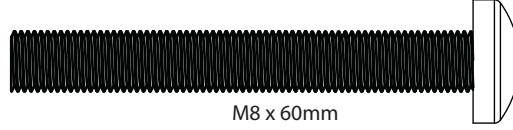
M6
[16] x 4



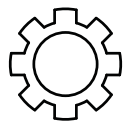
M8 x 16mm
[17] x 4



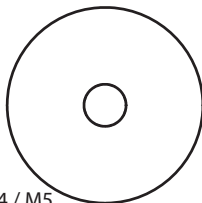
M8 x 40mm
[18] x 4



M8 x 60mm
[19] x 4

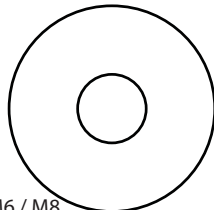


M8
[20] x 4



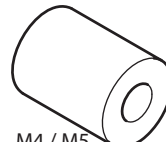
M4 / M5

[21] x 8



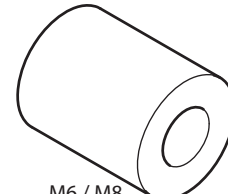
M6 / M8

[22] x 4



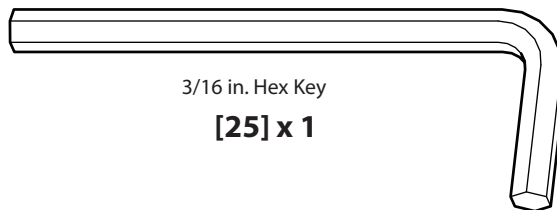
M4 / M5

[23] x 4



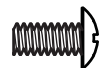
M6 / M8

[24] x 4



3/16 in. Hex Key

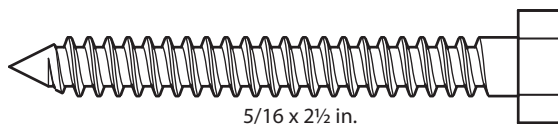
[25] x 1



8-32 x 3/8 in.
[26] x 1

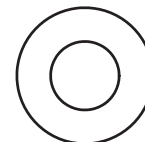


8-32 x 9/16 in.
[27] x 4

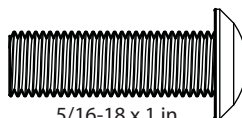


5/16 x 2 1/2 in.

[28] x 4

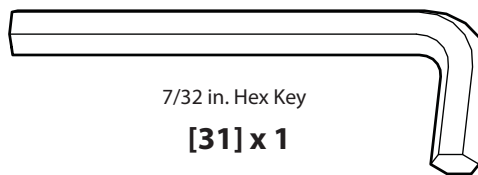


[29] x 4



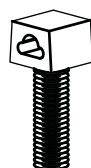
5/16-18 x 1 in.

[30] x 2



7/32 in. Hex Key

[31] x 1



[32] x 2

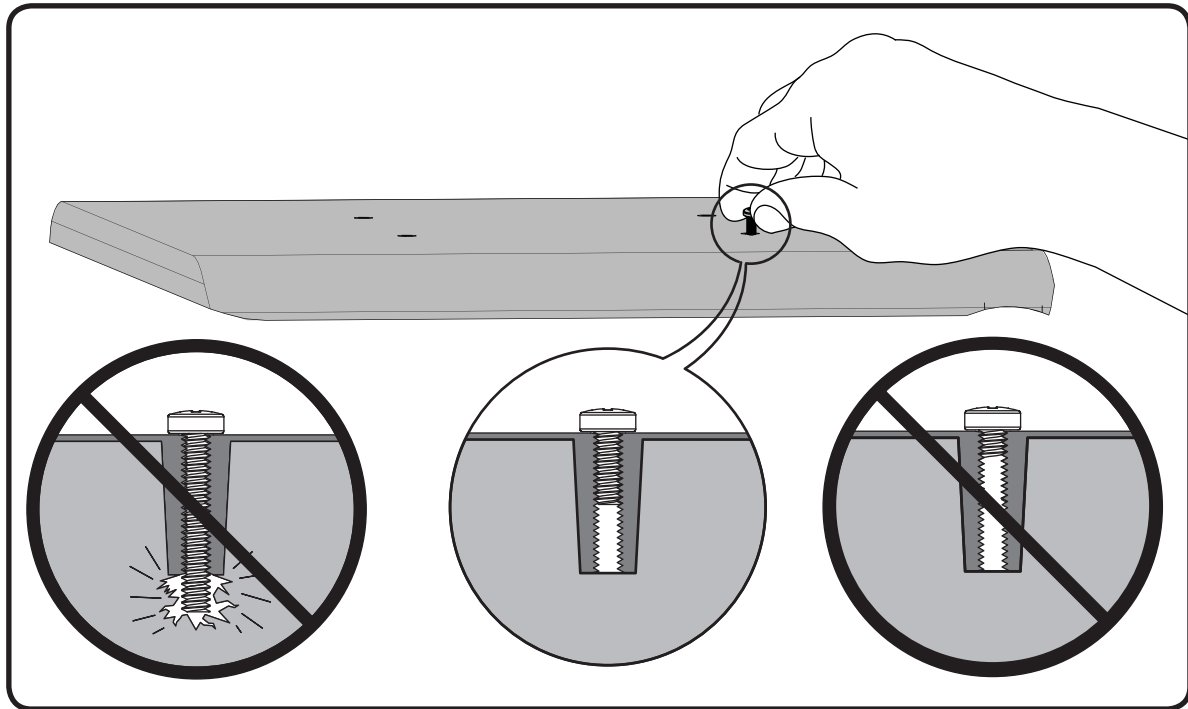


[33] x 5

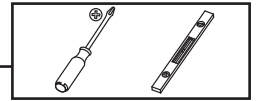
1 Install TV Brackets

Before you begin, hand thread screws into the threaded inserts on the back of your TV to determine the correct screw diameter (M4, M5, M6, or M8). Verify that there are adequate threads to secure the brackets to the monitor. If you encounter resistance, stop immediately and contact customer service.

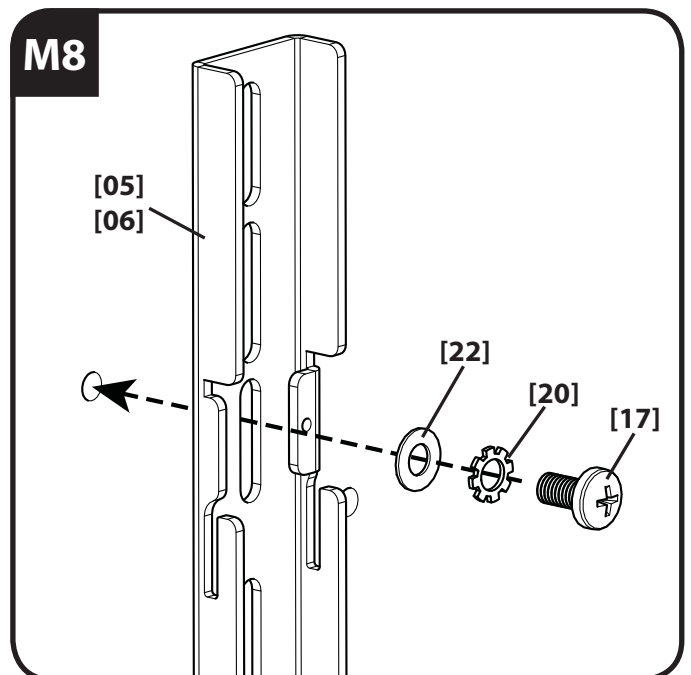
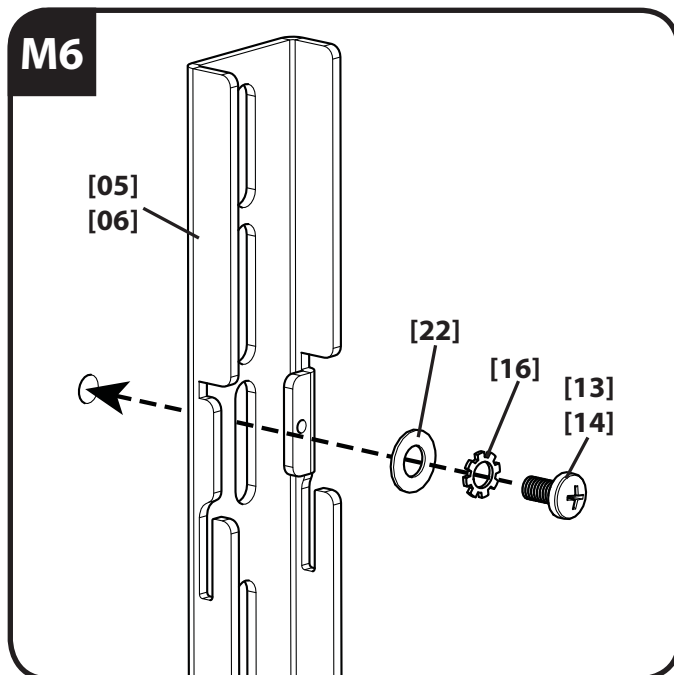
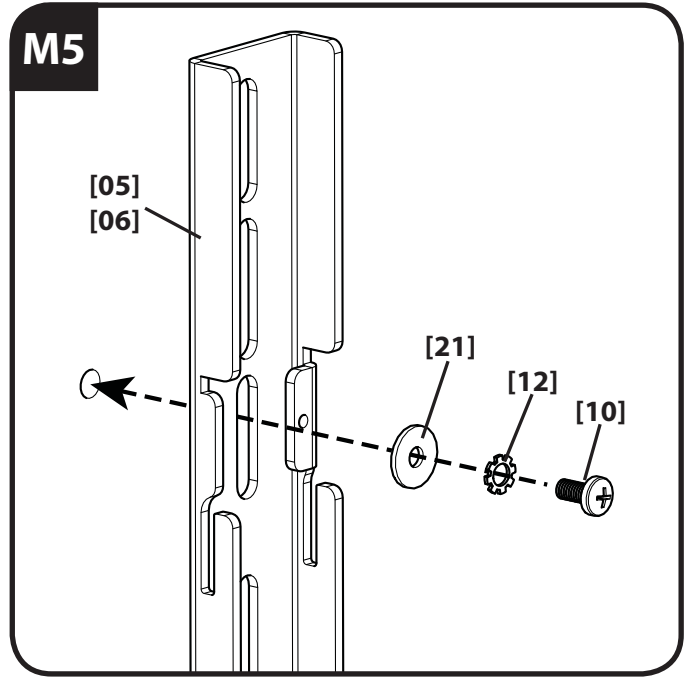
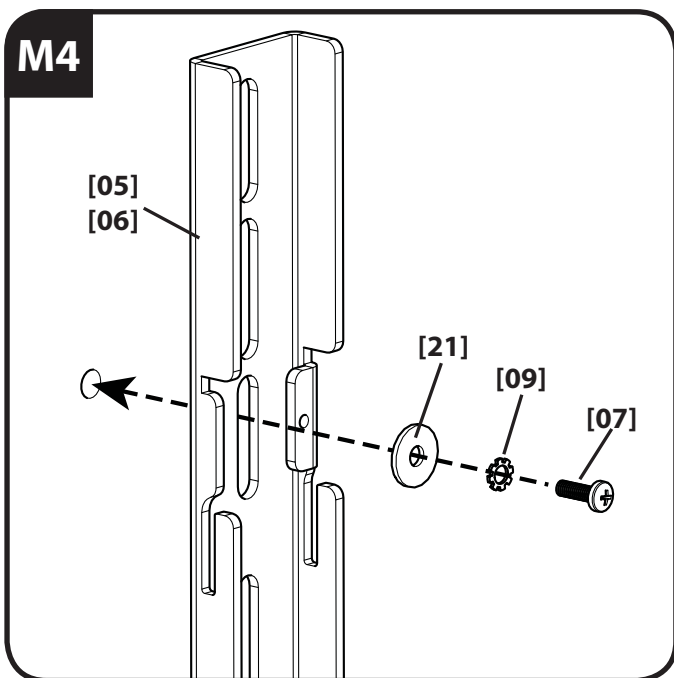
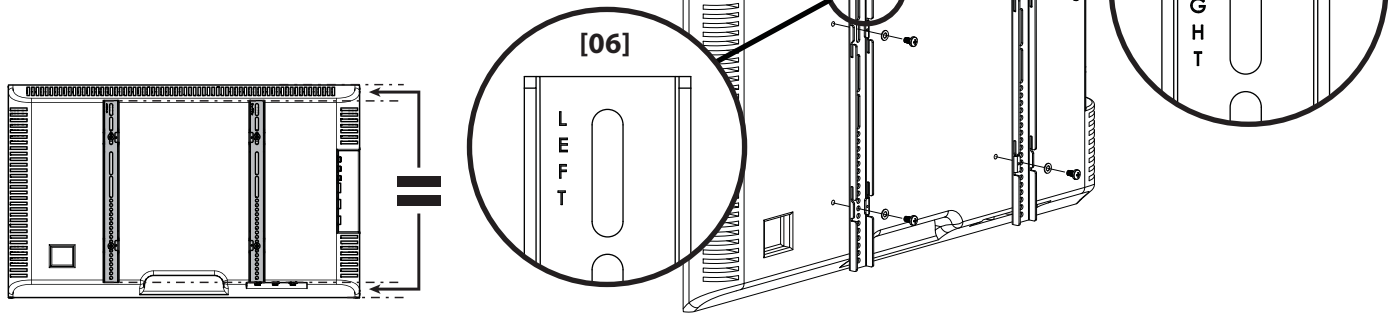
▲ CAUTION: Avoid potential personal injuries and property damage! Use the shortest screw and spacer combination to accommodate your needs. Using hardware that is too long may damage your monitor's internal components.



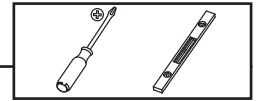
1-1 For TVs with a flat/unobstructed back



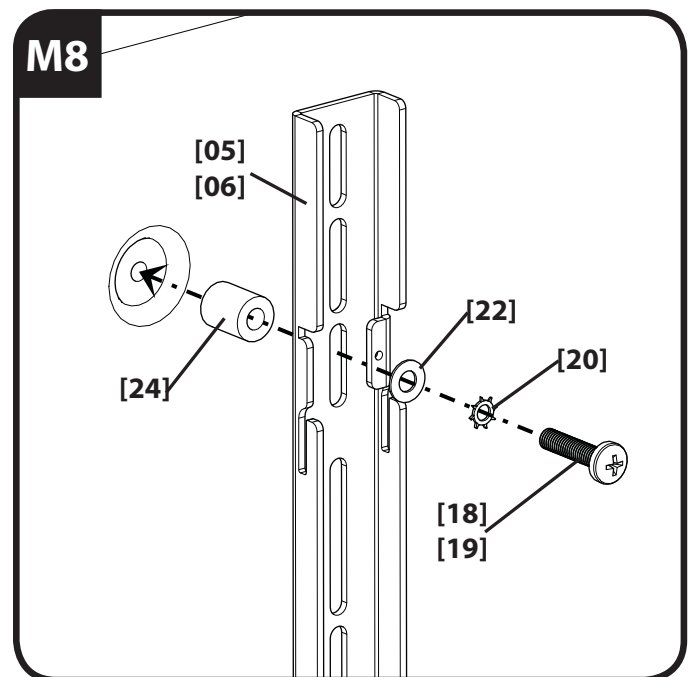
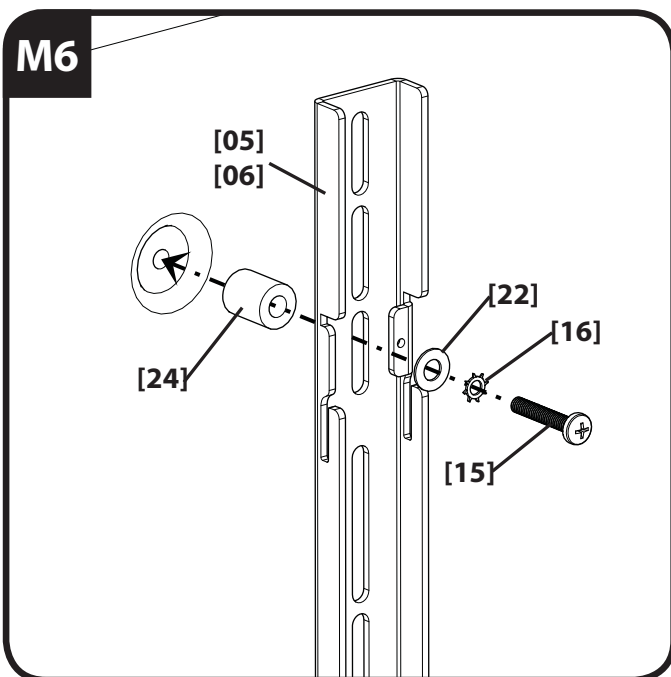
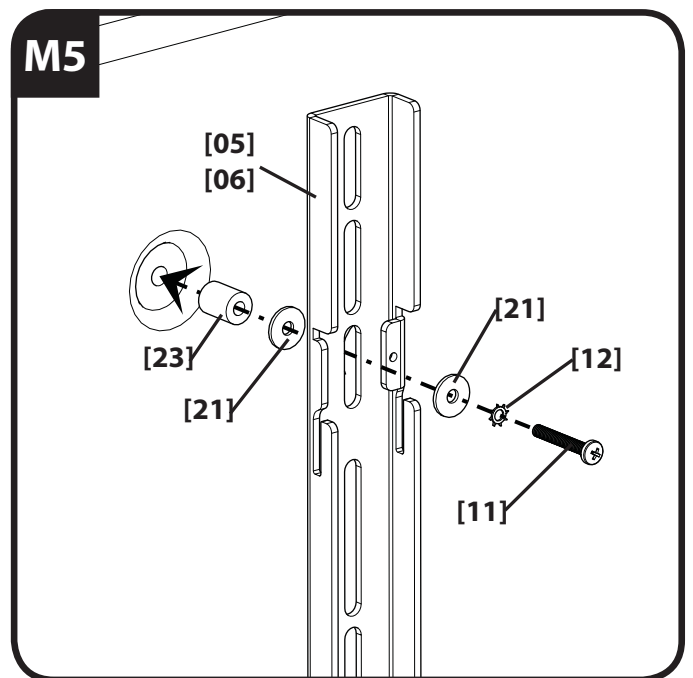
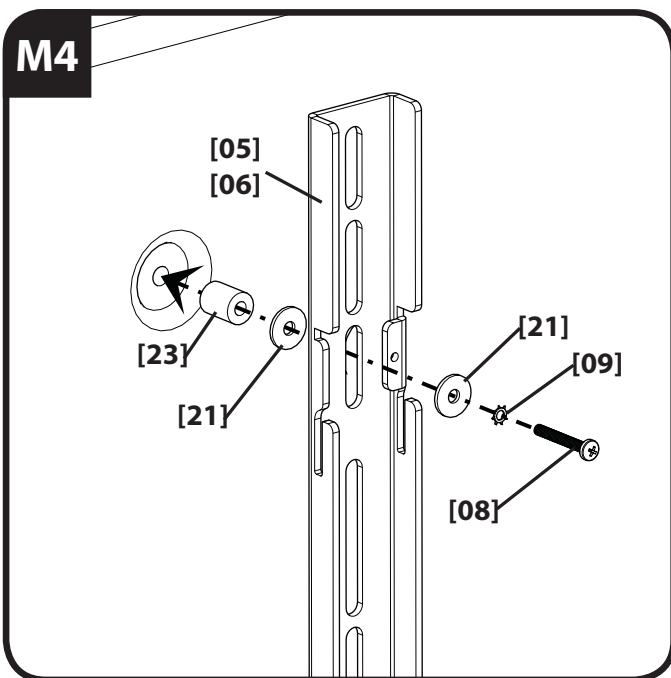
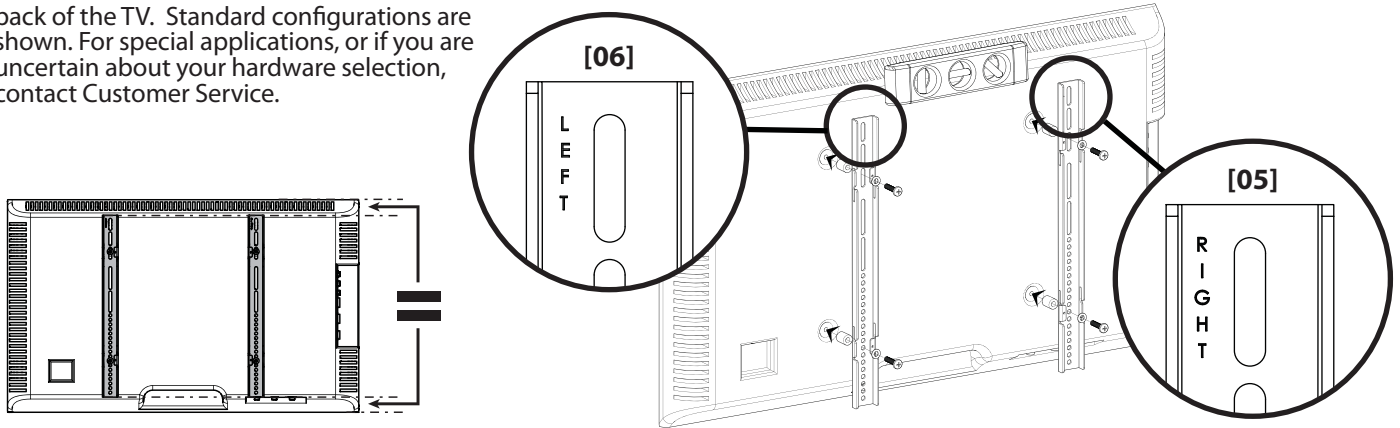
Ensure that the brackets are level and equally spaced top and bottom on the back of the TV. Standard configurations are shown. If you need extra space to accommodate cables, recesses, or protrusions, see the installation option that uses spacers. For special applications, or if you are uncertain about your hardware selection, contact Customer Service.



1-1 For TVs with an irregular/obstructed back



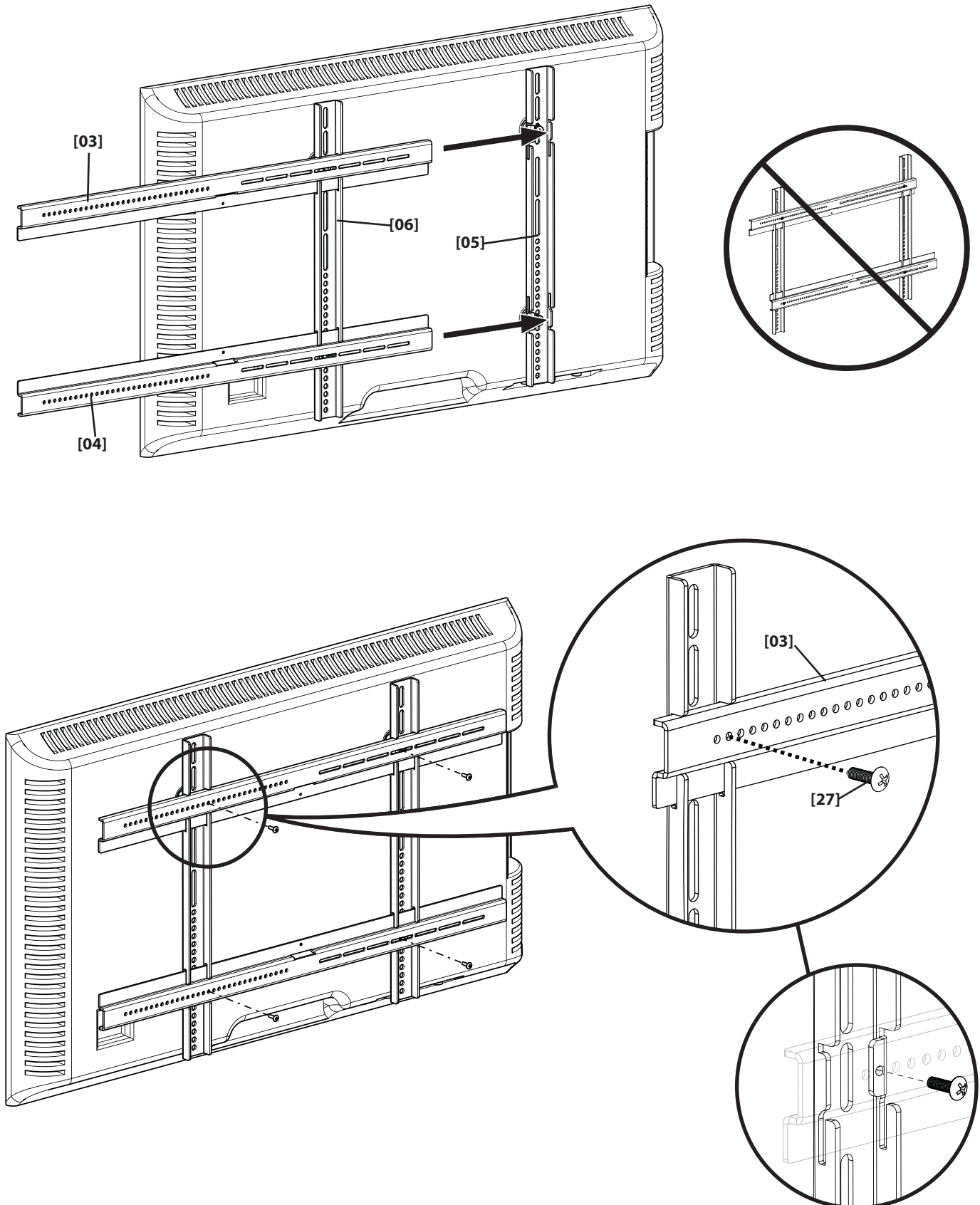
Ensure that the brackets are level and equally spaced top and bottom on the back of the TV. Standard configurations are shown. For special applications, or if you are uncertain about your hardware selection, contact Customer Service.



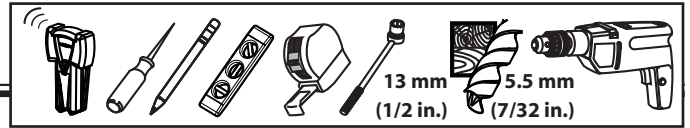
1-2 Attach horizontal brackets



Slide the horizontal brackets [03] and [04] onto the vertical brackets [05] and [06]. Make sure that they are evenly spaced left to right. Install screws [27] to lock horizontal brackets [03] and [04] in position.

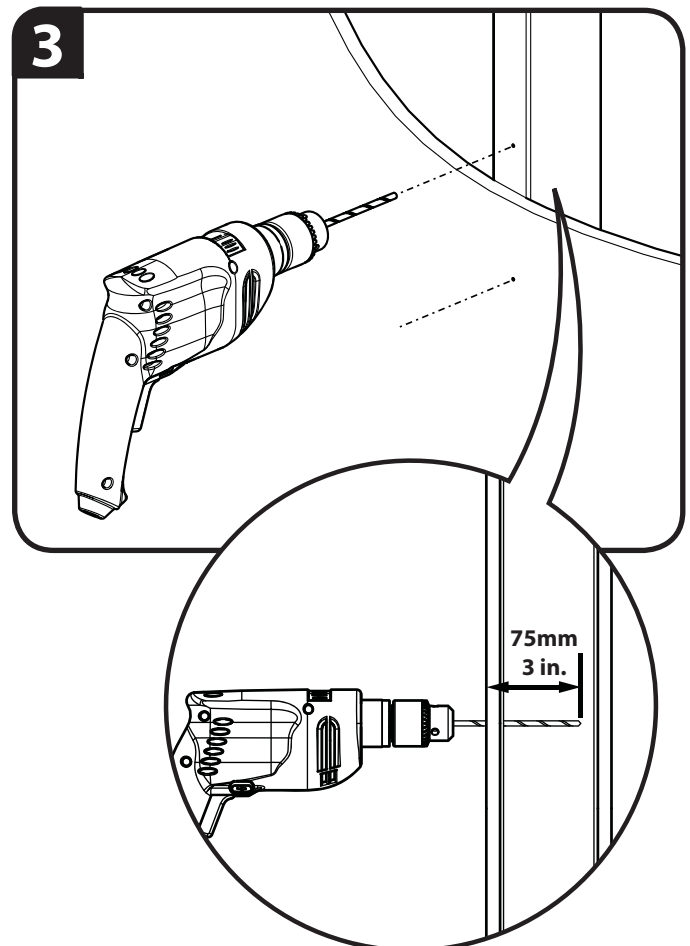
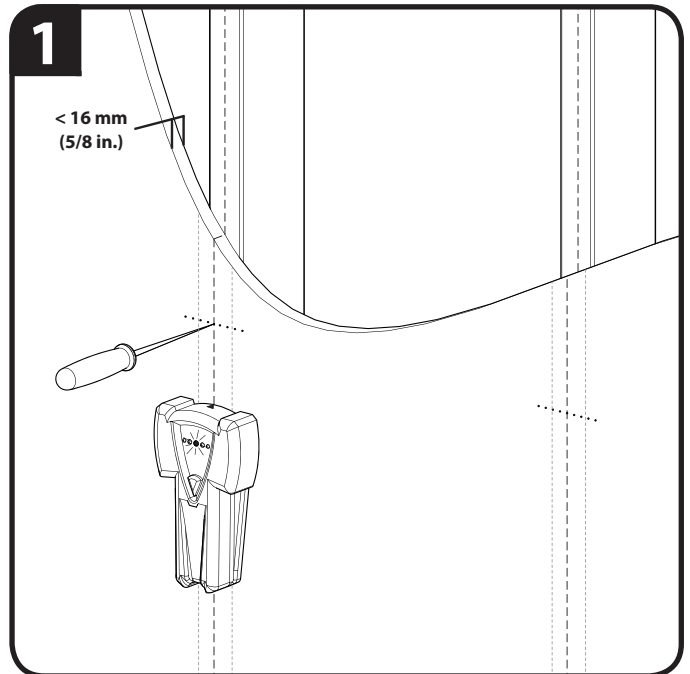
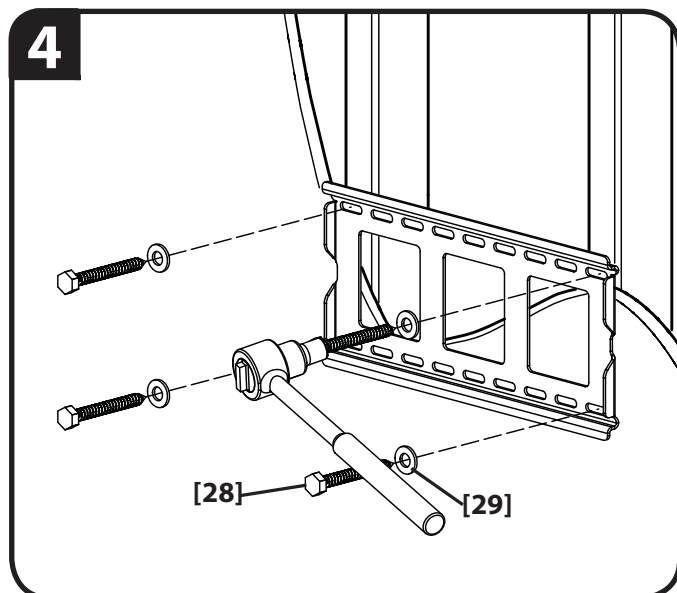
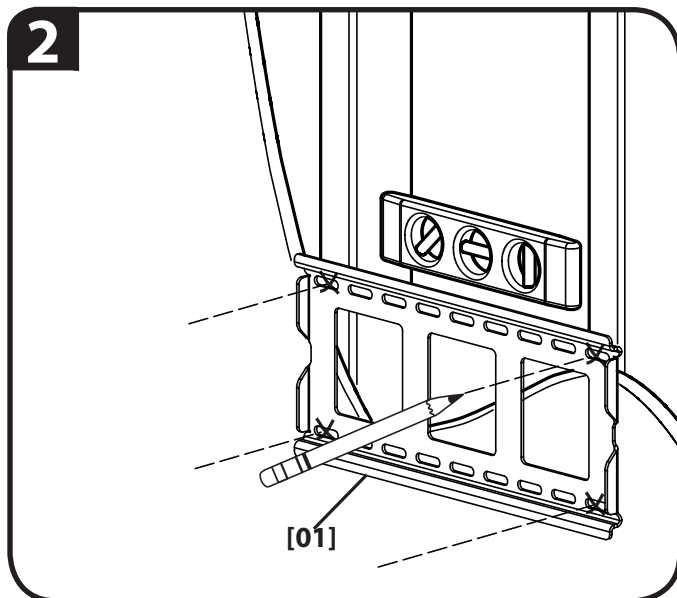


2 Mount the Wall Plate



1. Locate studs. Verify the center of the stud with an awl or thin nail or use an edge to edge stud finder.
▲ CAUTION: To avoid potential injuries or property damage:
 - ✘ Any material covering the wall must not exceed 16 mm (5/8 in.).
 - ✘ Minimum wood stud size: common 2 x 4 in. (nominal 1.5 x 3.5 in.)
2. Level the wall plate [01] and mark the hole locations.
3. Drill pilot holes as illustrated.

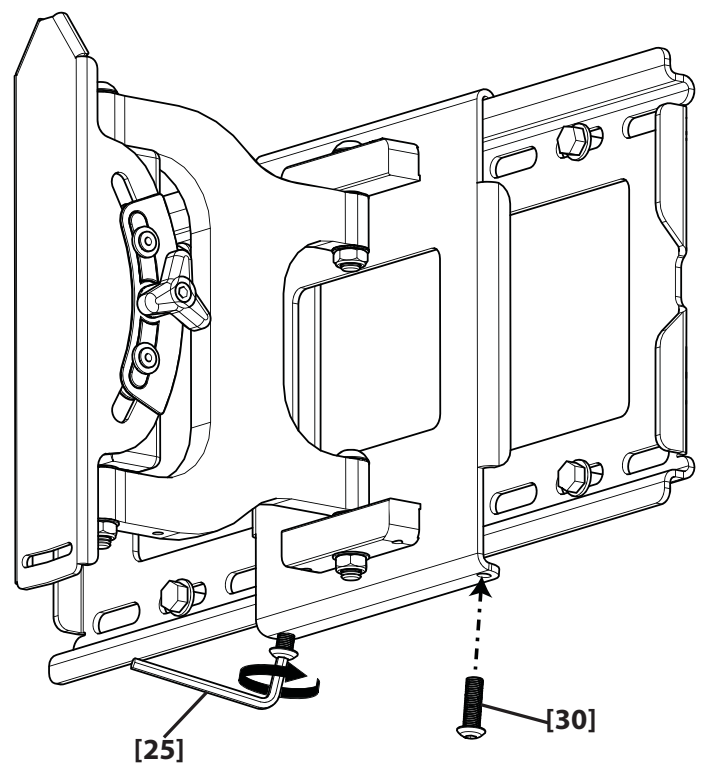
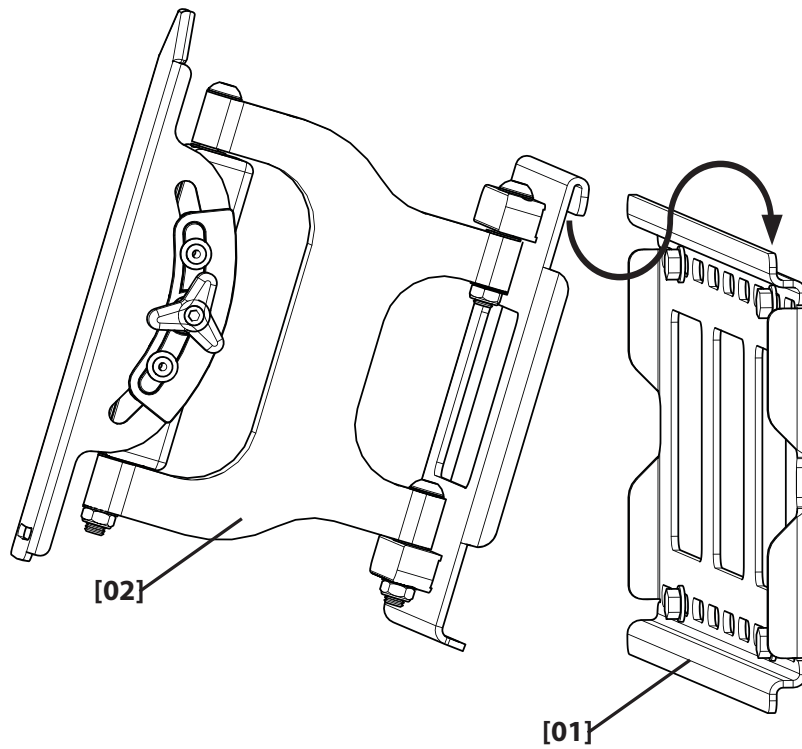
- ▲ CAUTION:** To avoid potential injuries or property damage: Pilot holes **MUST** be drilled to a depth of 75 mm (3 in.), using a 5.5 mm (7/32 in.) diameter drill bit.
4. Tighten the lag bolts [28] only until the washers [29] are pulled firmly against the wall plate [01].
▲ CAUTION: Improper use could reduce the holding power of the lag bolt. To avoid potential injuries or property damage: **DO NOT** over-tighten the lag bolts [28].



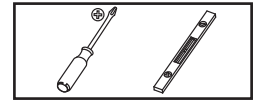
3 Hang the Swing Arm onto the Wall Plate

Install the safety bolts [30] using the 3/16 in. hex key [25].

▲ CAUTION: Avoid potential injuries or property damage!
Ensure the safety bolts [30] are secure. Periodic tightening may be required.



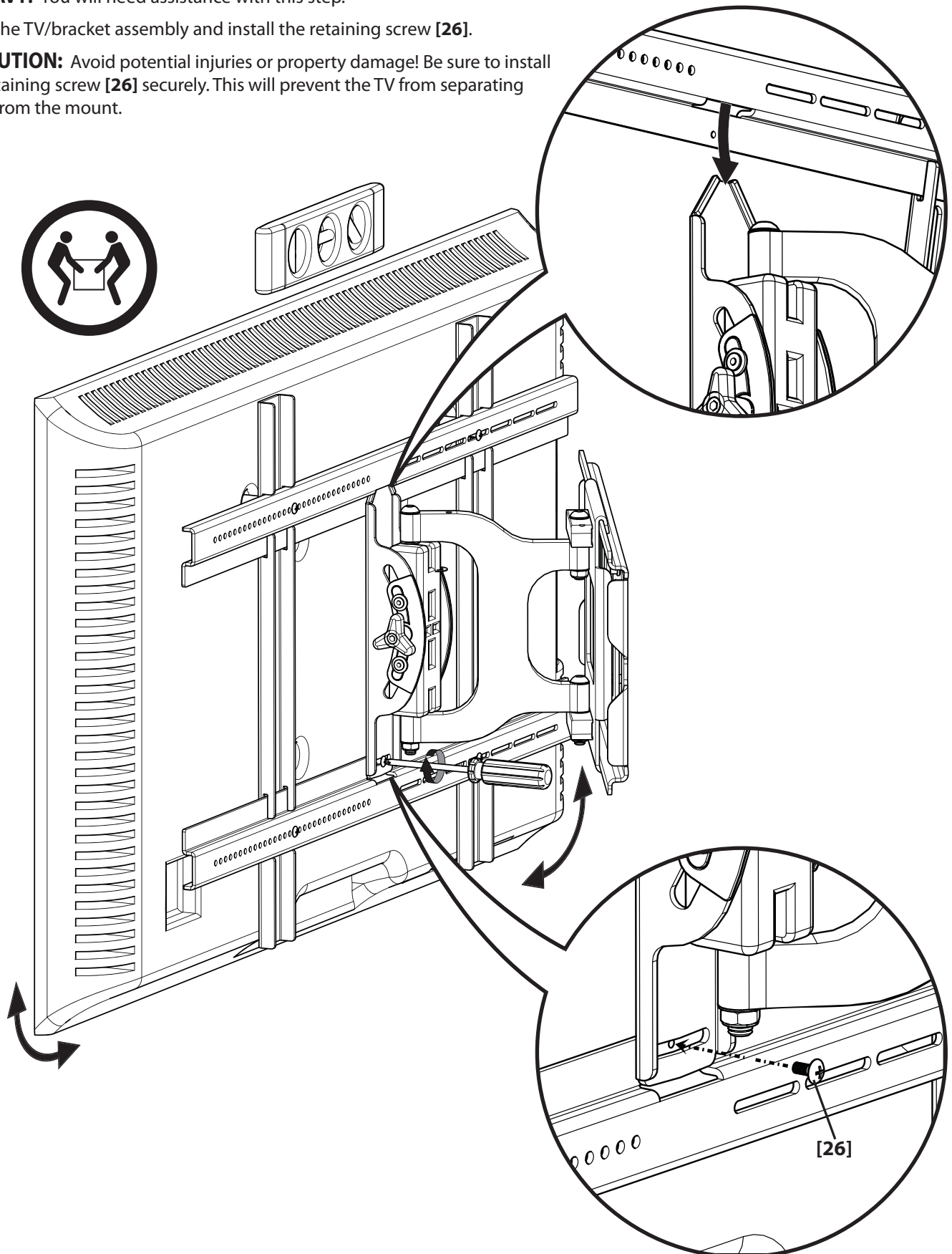
4 Hang the TV/Bracket Assembly onto the Swing Arm



HEAVY! You will need assistance with this step.

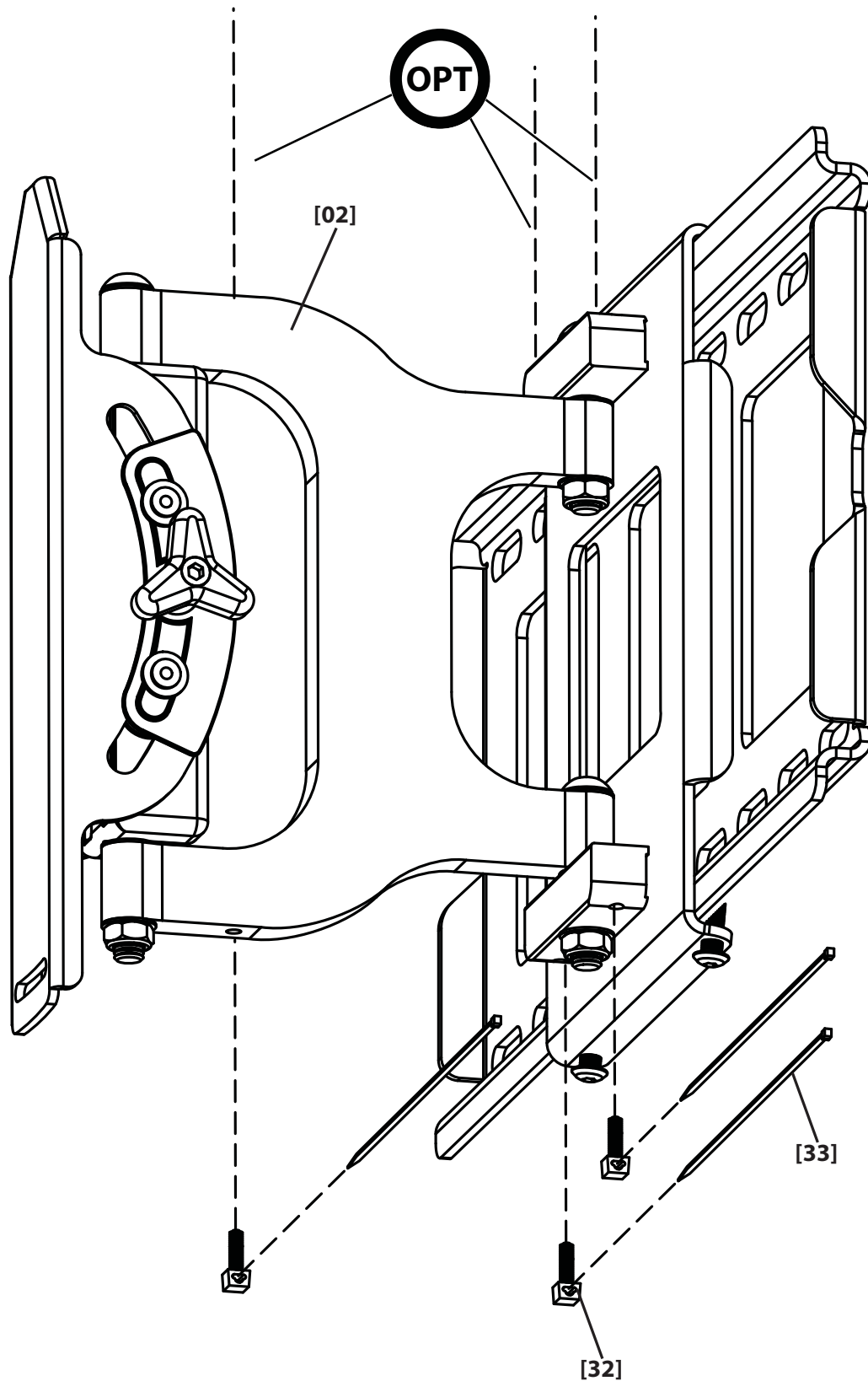
Level the TV/bracket assembly and install the retaining screw [26].

CAUTION: Avoid potential injuries or property damage! Be sure to install the retaining screw [26] securely. This will prevent the TV from separating away from the mount.



5 Manage Cables

NOTE: Be sure to leave enough slack in the cables to allow the monitor to move freely. Use the cable ties [33] and cable tie holders [32] to secure the cables to the arm [02].

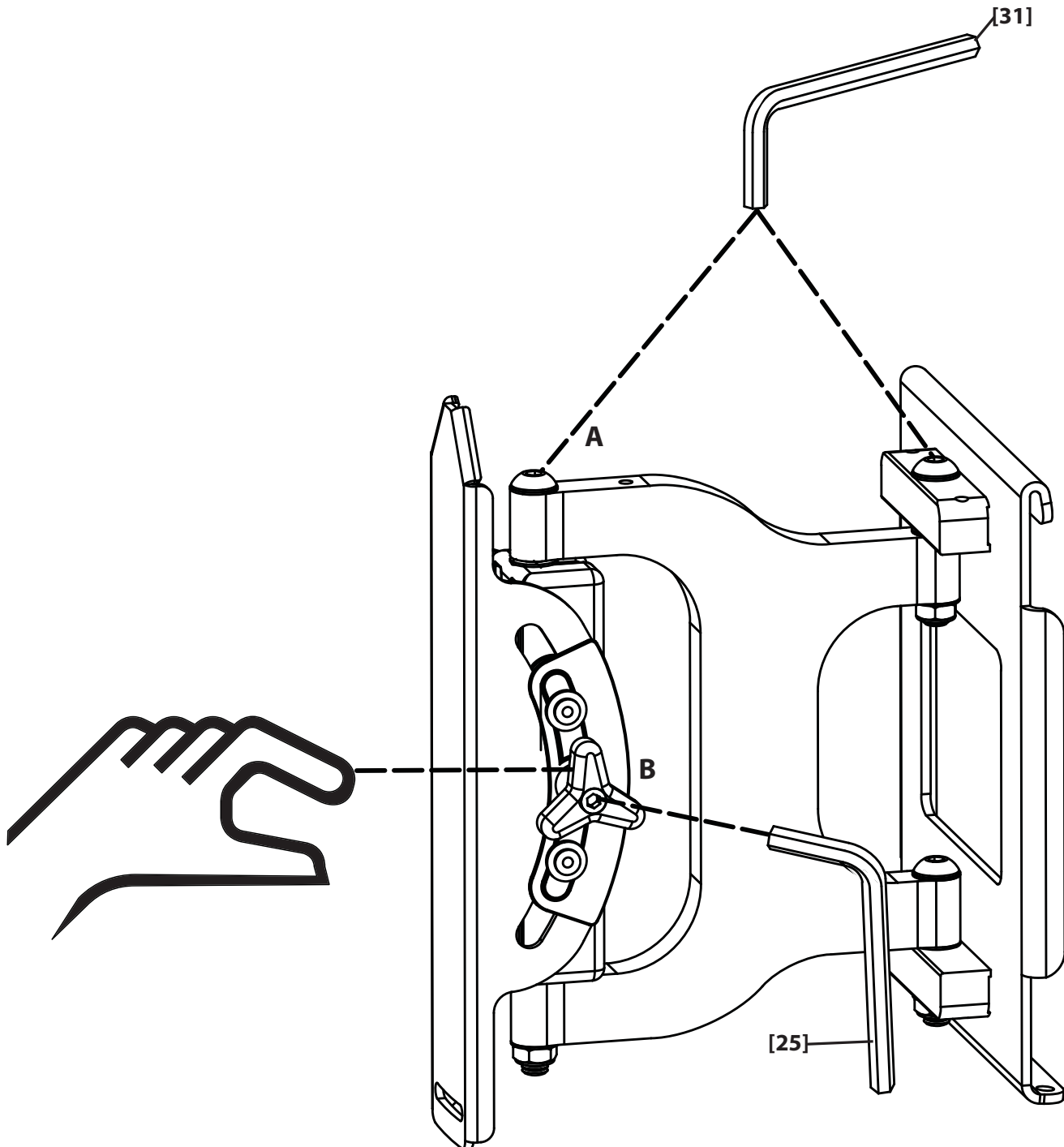


6 Adjust Tension

A. Adjust arm extension and swivel tension.

B. Adjust up/down tilt tension.

NOTE: For clarity TV is not shown.



Milestone AV Technologies and its affiliated corporations and subsidiaries (collectively, "Milestone"), intend to make this manual accurate and complete. However, Milestone makes no claim that the information contained herein covers all details, conditions, or variations. Nor does it provide for every possible contingency in connection with the installation or use of this product. The information contained in this document is subject to change without notice or obligation of any kind. Milestone makes no representation of warranty, expressed or implied, regarding the information contained herein. Milestone assumes no responsibility for accuracy, completeness or sufficiency of the information contained in this document.