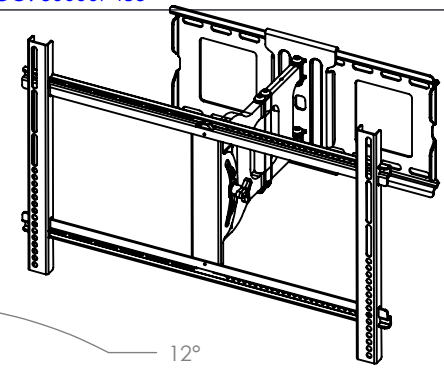
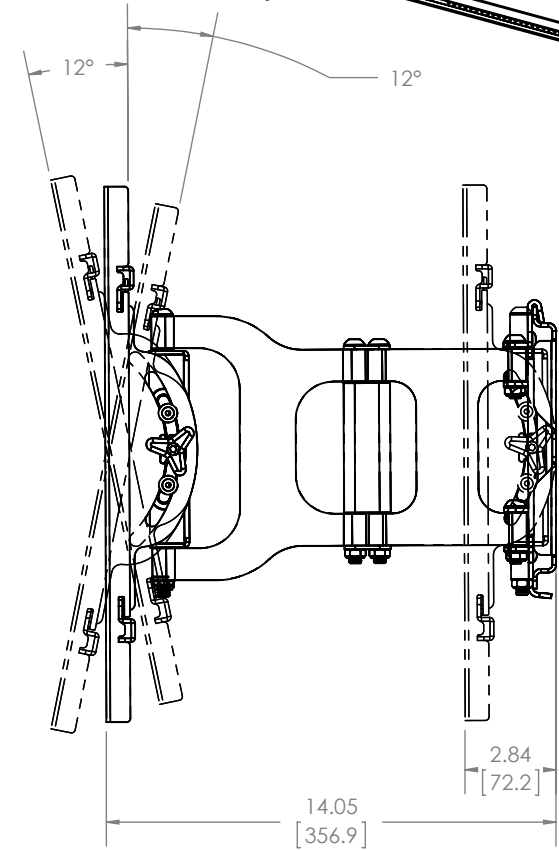
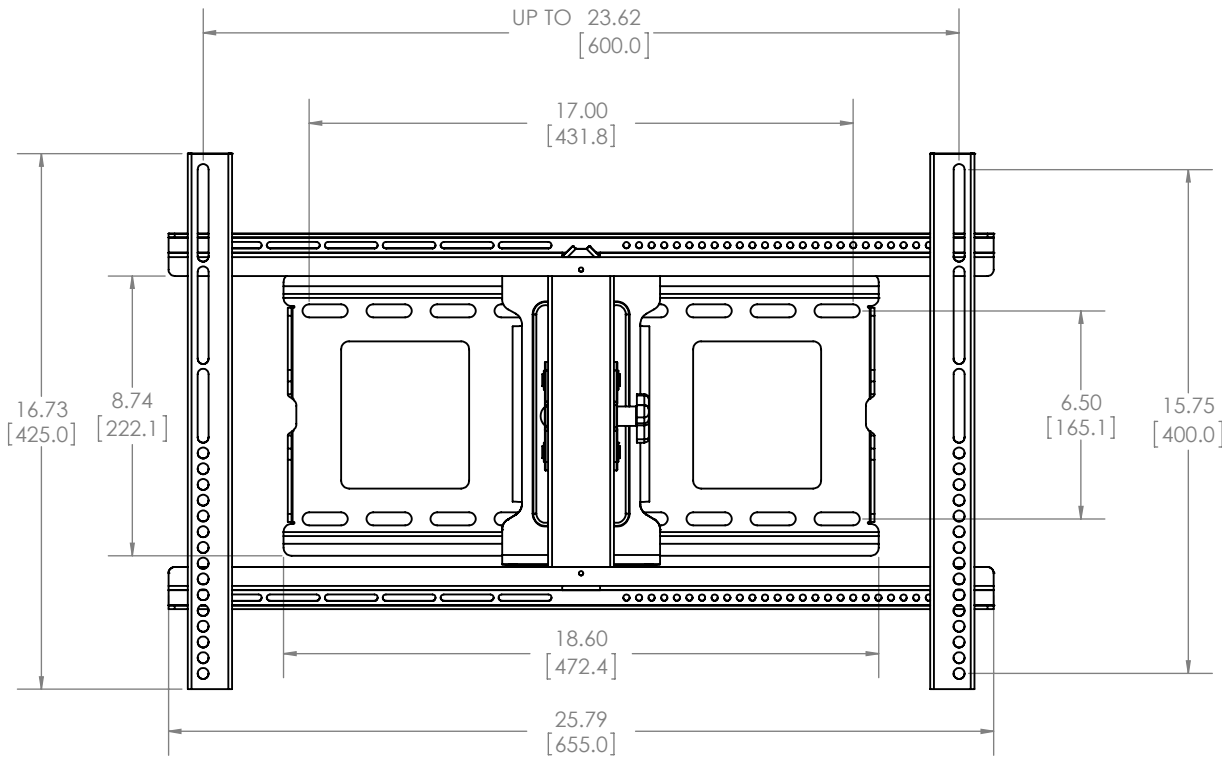


C

B

A



THE INFORMATION AND DESIGNS CONTAINED IN THIS DRAWING ARE CONFIDENTIAL AND THE PROPRIETARY PROPERTY OF MILESTONE AV TECHNOLOGIES NEITHER THIS DESIGN NOR ANY INFORMATION CONTAINED IN THIS DRAWING MAY BE REPRODUCED OR DISCLOSED TO OTHERS WITHOUT THE EXPRESS WRITTEN CONSENT OF MILESTONE AV TECHNOLOGIES. 本图纸所包含的信息和设计均系 Milestone 机密和知识产权，本图纸包含的设计和信在未经 Milestone 允许情况下均不得复制或泄露

CAD GENERATED DRAWING.
DO NOT MANUALLY UPDATE.
CAD 制作图，非手工更新

DRAWN BY 绘图者 BS 4/5/2013

ENG APPROVAL 工程批准

MFG APPROVAL 制造批准

QA APPROVAL 品质批准

SHEET 清 1 OF 单 1

SCALE 比例 1:8
SIZER 尺寸 A
DWG. NO. 图纸编号 6805-002087-XXX

REV 修订 00

SANUS 6436 CITY WEST PKWY
EDEN PRAIRIE MN, 55344
PHONE: 866-977-3901
FAX: 877-894-6918

DESCRIPTION 描述
ALF113

1

2

3

4

5

A

B

C