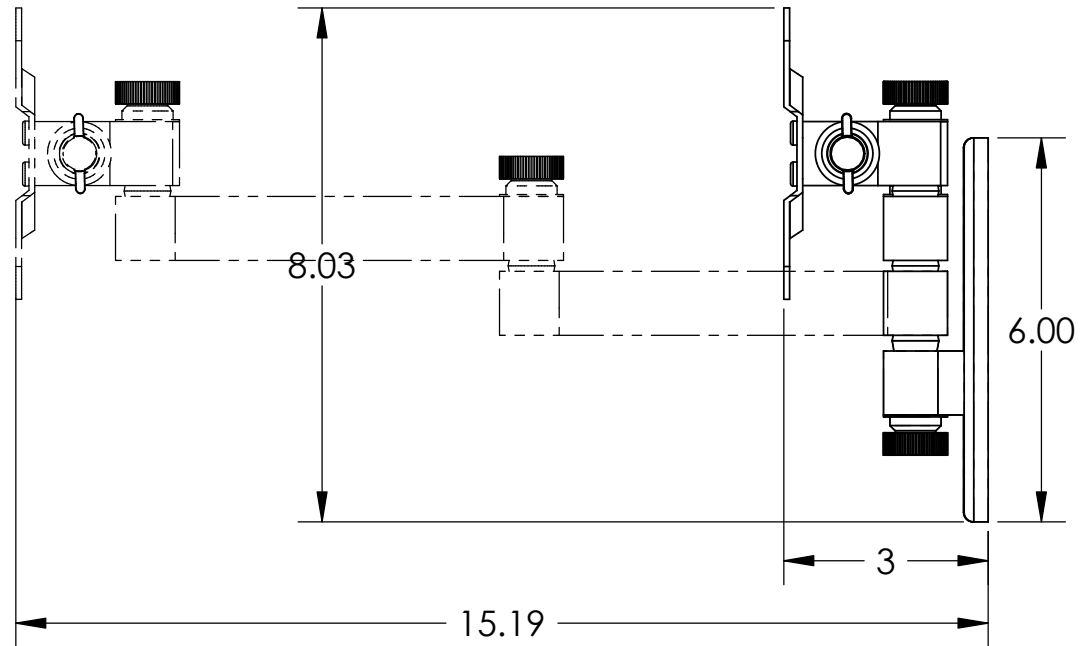
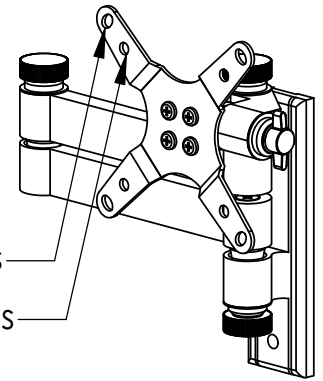


4.70" Between Wall Plate Mounting Holes

VESA 100 Mounting Holes
VESA 75 Mounting Holes



	NAME	DATE	SANUS SYSTEMS	
DRAWN	NAS	11/14/05	TITLE:	
CHECKED			VM3 Cut Sheet	
ENG APPR.				
MFG APPR.				
Q.A.				
<p>PROPRIETARY AND CONFIDENTIAL THE INFORMATION CONTAINED IN THIS DRAWING IS THE SOLE PROPERTY OF SANUS SYSTEMS. ANY REPRODUCTION IN PART OR AS A WHOLE WITHOUT THE WRITTEN PERMISSION OF SANUS SYSTEMS IS PROHIBITED.</p>			Full Motion Wall Mount	
			SCALE: 1:3	SHEET 1 OF 1