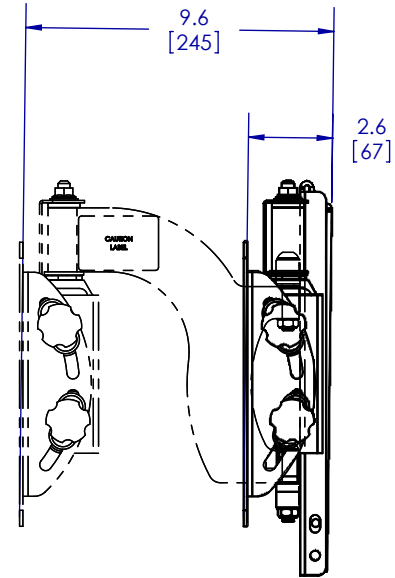
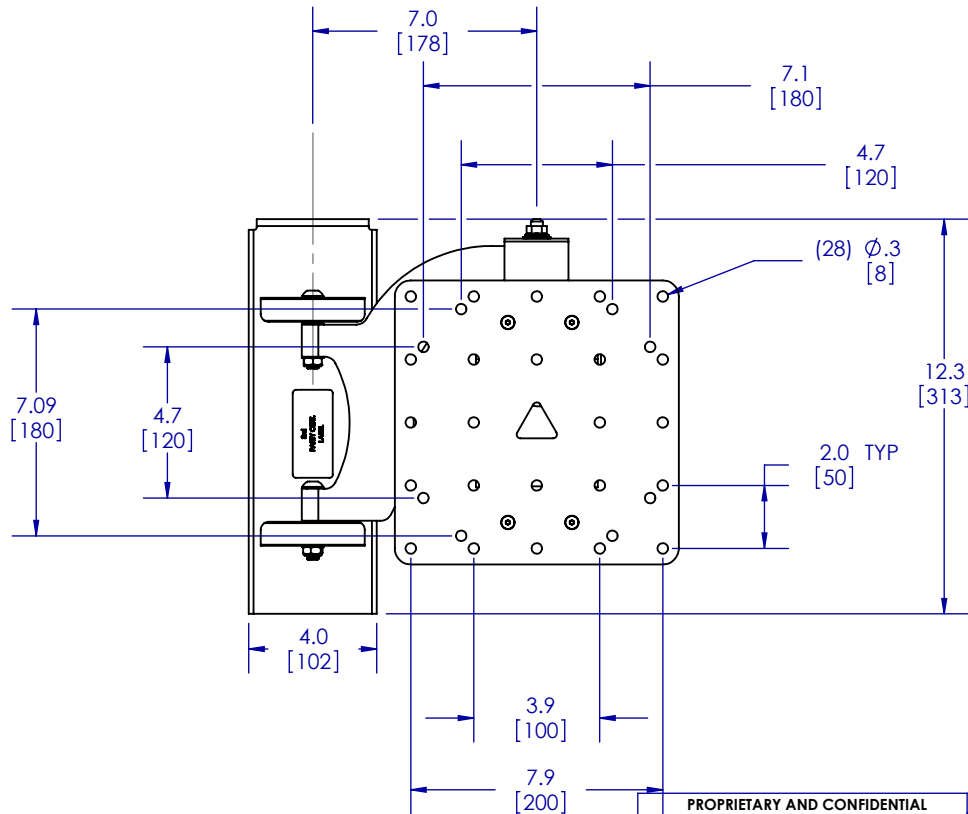
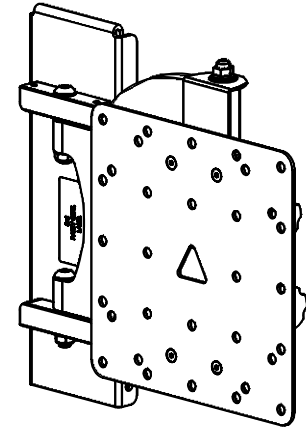
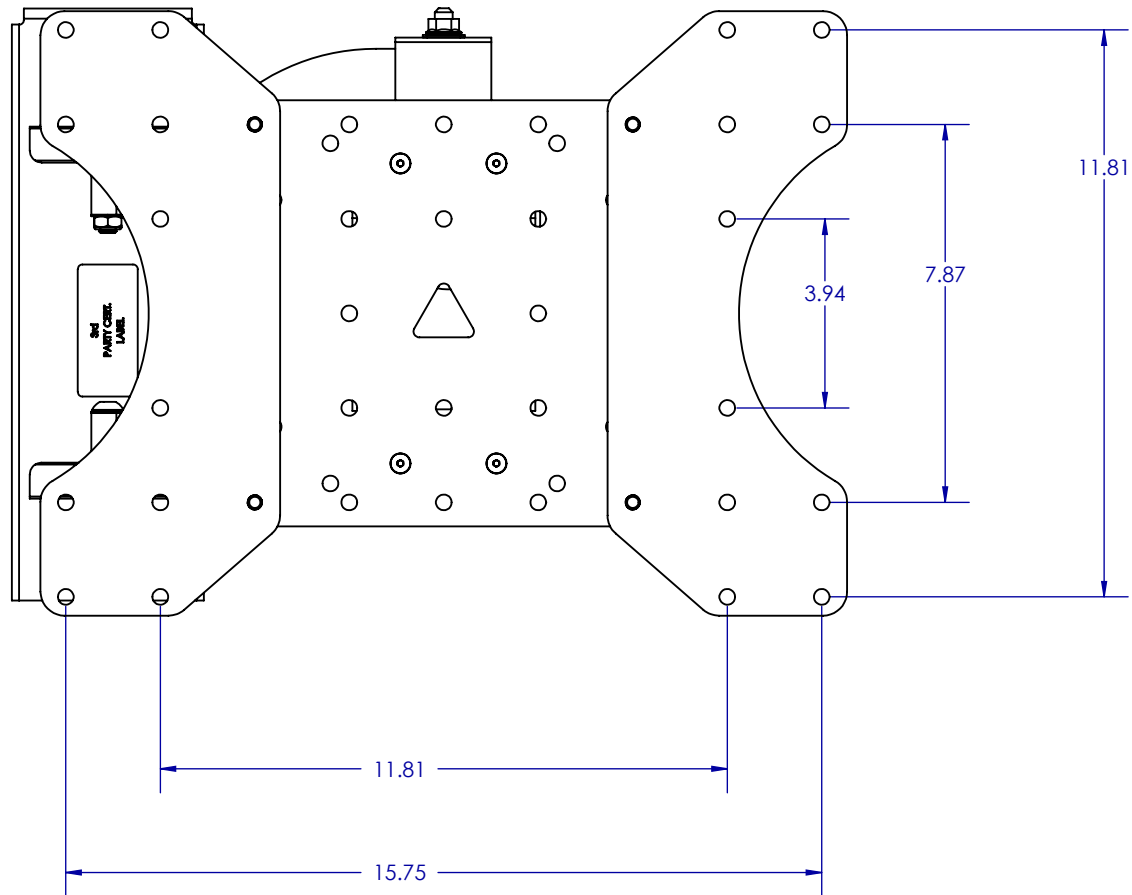


WEIGHT CAPACITY: 100LBS
TILT: +5°, -15°
15"-40"



<p>PROPRIETARY AND CONFIDENTIAL</p> <p>THE INFORMATION CONTAINED IN THIS DRAWING IS THE SOLE PROPERTY OF SANUS SYSTEMS, A PRODUCT DIVISION OF MILESTONE AV TECHNOLOGIES. ANY REPRODUCTION IN PART OR AS A WHOLE WITHOUT THE WRITTEN PERMISSION OF SANUS SYSTEMS IS PROHIBITED.</p> <p>专有且机密资料</p> <p>本信息属 SANUS SYSTEMS 公司专属财产, 非经 SANUS SYSTEMS 书面许可, 严禁复制其中任何内容</p>	NAME 姓名	DATE 日期	<p>SANUS™</p> <p>A C C E N T S</p>	
	ENGINEER 工程师	JAS		2/23/2009
	DESIGNER 设计师	RAH	2/23/2009	<p>DESCRIPTION 描述:</p> <p>SAN110</p>
	APPROVED 批准	JAS	2/23/2009	
NOTES 注释:				
TEMPLATE REV 模板修订版: 06	SCALE 比例: 1:6	SHEET 1 OF 第 2		



WITH MA4A BRACKETS

<p>PROPRIETARY AND CONFIDENTIAL</p> <p>THE INFORMATION CONTAINED IN THIS DRAWING IS THE SOLE PROPERTY OF SANUS SYSTEMS, A PRODUCT DIVISION OF MILESTONE AV TECHNOLOGIES. ANY REPRODUCTION IN PART OR AS A WHOLE WITHOUT THE WRITTEN PERMISSION OF SANUS SYSTEMS IS PROHIBITED.</p> <p>专有且机密资料</p> <p>本信息属 SANUS SYSTEMS 公司专属财产, 非经 SANUS SYSTEMS 书面许可, 严禁复制其中任何内容</p>	NAME 姓名	DATE 日期	<p>SANUS™</p> <p>A C C E N T S</p>	
	ENGINEER 工程师	JAS		2/23/2009
	DESIGNER 设计师	RAH	2/23/2009	<p>DESCRIPTION 描述:</p> <p>SAN110</p>
	APPROVED 批准	JAS	2/23/2009	
NOTES 注释:				
TEMPLATE REV 模板修订版: 06	SCALE 比例: 1:4	SHEET 2 OF 第 2		