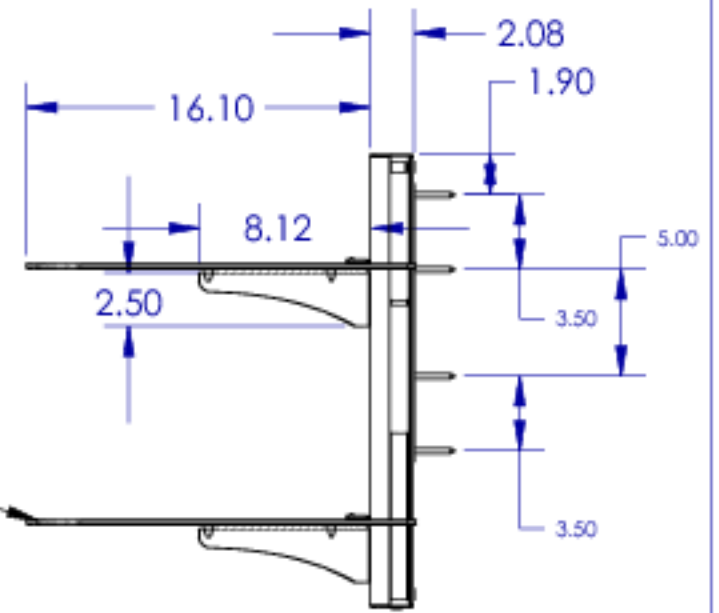
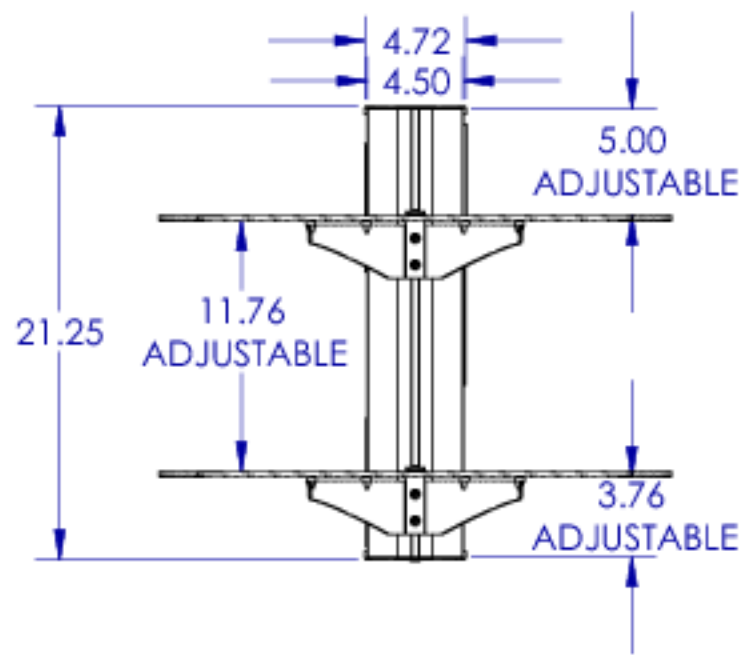
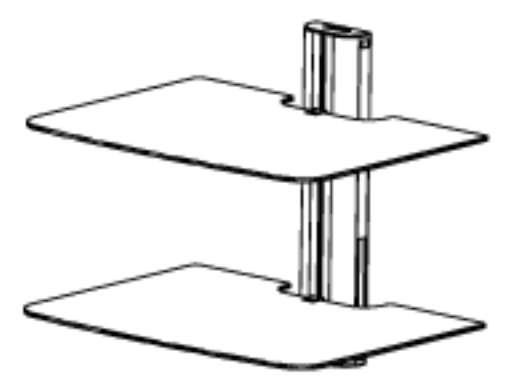


SHELF CAPACITY:  
50LBS PER SHELF



6mm TEMPERED  
GLASS

<p><b>PROPRIETARY AND CONFIDENTIAL</b> THE INFORMATION CONTAINED IN THE DRAWING IS THE SOLE PROPERTY OF SANUS SYSTEMS, A PRODUCT DIVISION OF MILSTONE AV TECHNOLOGIES. ANY REPRODUCTION IN PART OR AS A WHOLE WITHOUT THE WRITTEN PERMISSION OF SANUS SYSTEMS IS PROHIBITED. © 2008 SANUS SYSTEMS</p> <p>本圖為 SANUS SYSTEMS 公司之專有財產，未經 SANUS SYSTEMS 書面許可，嚴禁複製其中任何內容。</p>	NAME 姓名	DATE 日期	<p><b>SANUS</b> A U C U E N I S</p> <p>DESCRIPTION 描述: SAN12</p>	
	ENGINEER 工程師	JKV		7/23/2008
	DESIGNER 設計師	MMR		7/23/2008
	APPROVED 批准	DDG		7/23/2008
TEMPLATE REV 模板修訂: 06		SCALE 比例: 1:9	SHEET 1 OF 1	