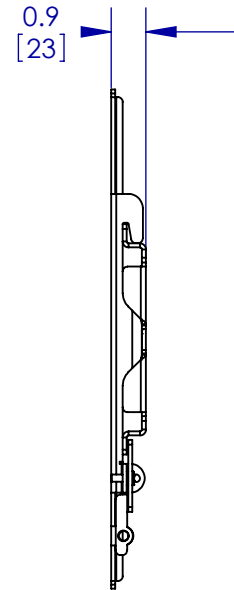
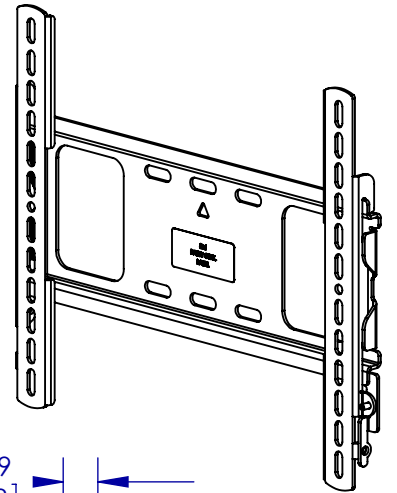
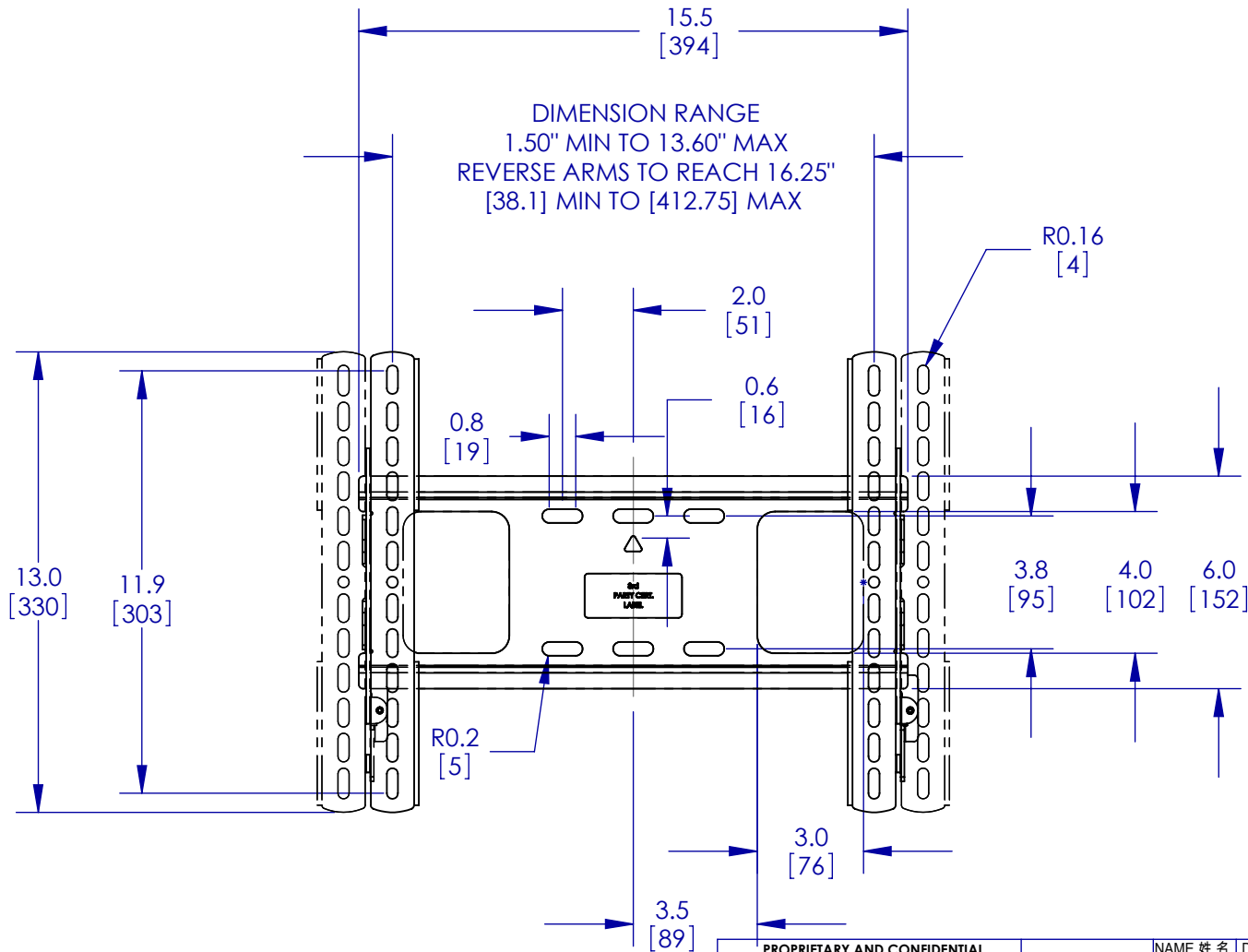


MAXIMUM WEIGHT CAPACITY:  
100 LBS.



**PROPRIETARY AND CONFIDENTIAL**  
THE INFORMATION CONTAINED IN THIS DRAWING IS THE SOLE PROPERTY OF SANUS SYSTEMS, A PRODUCT DIVISION OF MILESTONE AV TECHNOLOGIES. ANY REPRODUCTION IN PART OR AS A WHOLE WITHOUT THE WRITTEN PERMISSION OF SANUS SYSTEMS IS PROHIBITED.  
专有且机密资料  
本信息属 SANUS SYSTEMS 公司专属财产, 非经 SANUS SYSTEMS 书面许可, 严禁复制其中任何内容

|              | NAME 姓名 | DATE 日期  |
|--------------|---------|----------|
| ENGINEER 工程师 | J BURES | 6/2/2008 |
| DESIGNER 设计师 | J BURES | 6/2/2008 |
| APPROVED 批准  | J BURES | 6/2/2008 |

NOTES 注释:

TEMPLATE REV 模板修订版: 06      SCALE 比例: 1:5      SHEET 1 OF 第 1

**SANUS**  
VISION MOUNT

DESCRIPTION 描述:

SAN22