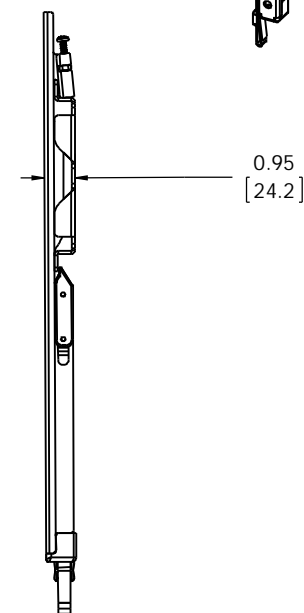
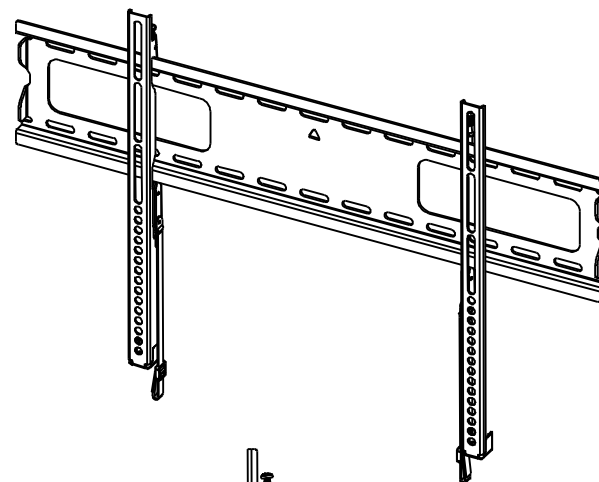
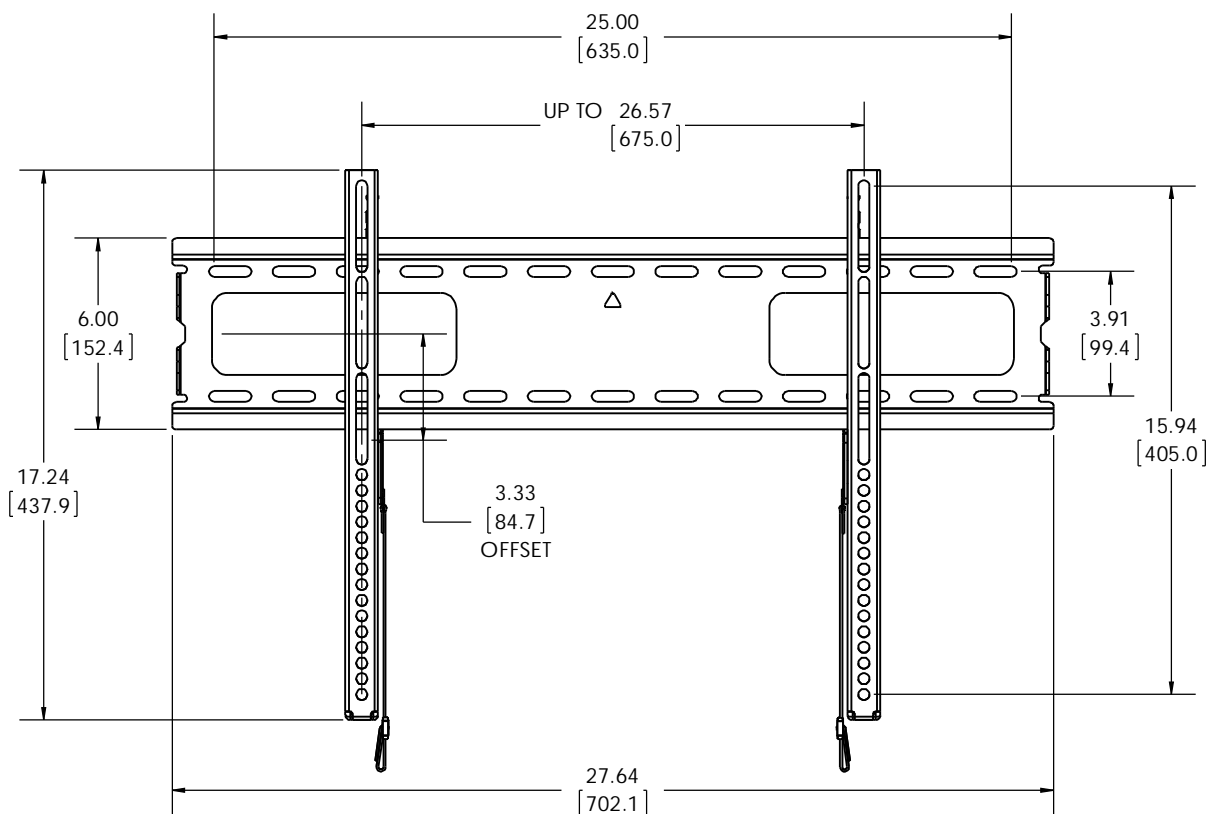


STATUS 状态:
Prerelease

6805-002001-XXX



THE INFORMATION AND DESIGNS CONTAINED IN THIS DRAWING ARE CONFIDENTIAL AND THE PROPRIETARY PROPERTY OF MILESTONE AV TECHNOLOGIES NEITHER THIS DESIGN NOR ANY INFORMATION CONTAINED IN THIS DRAWING MAY BE REPRODUCED OR DISCLOSED TO OTHERS WITHOUT THE EXPRESS WRITTEN CONSENT OF MILESTONE AV TECHNOLOGIES. 本图所包含的设计和系统为 Milestone 的机密和知识产权。本图纸包含的设计和系统信息在未经 Milestone 允许的情况下不得复制或泄露。

CAD GENERATED DRAWING.
DO NOT MANUALLY UPDATE.
C A D 制作图, 非手工更新

DRAWN BY 绘图者	RAH	9/20/2011
ENG APPROVAL 工程批准		
MFG APPROVAL 制造批准		
QA APPROVAL 品质批准		

SANUS 6436 CITY WEST PKWY
EDEN PRAIRIE MN, 55344
PHONE: 888-888-8888
FAX: 999-999-9999

DESCRIPTION 描述
SAN55BB

SHEET 清 1 0F 单 1	SCALE 比例 1:8	SIZE 尺寸 A	DWG. NO. 图纸编号 6805-002001-XXX	REV. 修 00
------------------	--------------	-----------	-------------------------------	-----------