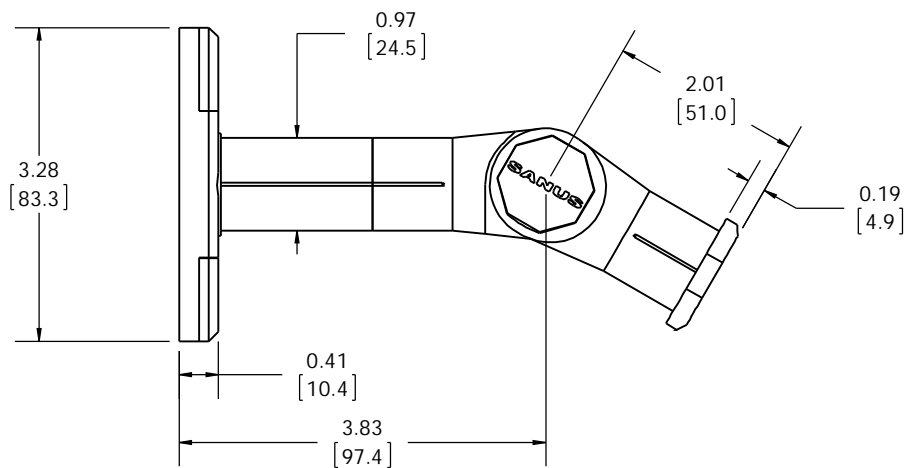
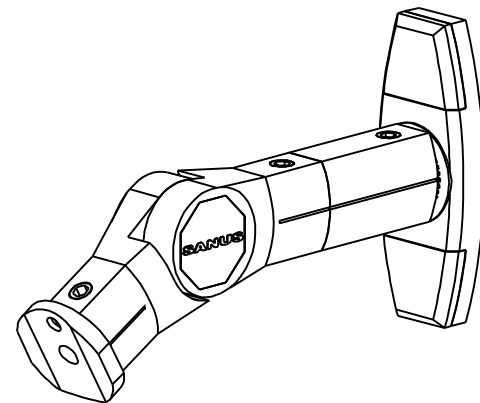
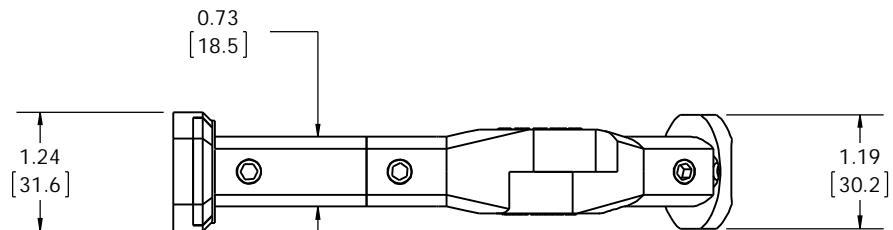


STATUS 状态:
Prerelease

SWMB-01



THE INFORMATION AND DESIGNS CONTAINED IN THIS DRAWING ARE CONFIDENTIAL AND THE PROPRIETARY PROPERTY OF MILESTONE AV TECHNOLOGIES NEITHER THIS DESIGN NOR ANY INFORMATION CONTAINED IN THIS DRAWING MAY BE REPRODUCED OR DISCLOSED TO OTHERS WITHOUT THE EXPRESS WRITTEN CONSENT OF MILESTONE AV TECHNOLOGIES. 本图纸所包含的信息和设计均系Milestone 机密和知识产权, 本图纸包含的设计和信息在未经Milestone 允许情况下均不得复制或泄露

CAD GENERATED DRAWING.
DO NOT MANUALLY UPDATE.
C A D 制作图, 非手工更新

DRAWN BY 绘图者	RH	4/5/2012
ENG APPROVAL 工程批准		
MFG APPROVAL 制造批准		
QA APPROVAL 品质批准		

SANUS® 6436 CITY WEST PKWY
EDEN PRAIRIE MN, 55344
PHONE: 866-977-3901
FAX: 877-894-6918

DESCRIPTION 描述
SWMB-01

SHEET 清 1 OF 单 1	SCALE 比例 1:4	SIZE 尺寸 A	DWG. NO. 图纸编号 SWMB-01	REV. 修
------------------	-----------------	--------------	--------------------------	--------